

Wooden Sliding Door System

Technical Data	XL - C 7001	XL - C 7002	XL - C 7003	XL - C 7004	XL - C 7022	XL - C 7023
Weight Capacity / Shutter, kg	80	80	120	120	80	100
Track Length, mm	2000	3000	2000	3000	3000	3000
Max Door Height, mm	2400	2400	2700	2700	2400	2700
Max Door Width, mm	1000	1500	1000	1500	750	750
Door Thickness, ceiling mounting, mm	28 - 40	28 - 45	28 - 45	28 - 50	28 - 40	28 - 45
Door Thickness, wall mounting, mm	28 - 32	28 - 35	28 - 32	28 - 35	28 - 32	28 - 35
Bi-Parting Possibility	NO	NO	NO	NO	YES	YES

Ordering Code : XL - C 7001 2M WA80

Reference Code : 9137544

Kit contains 2 mtr Track with clamping accessories, two standard rollers with two end stoppers & one door guide.

Ordering Code : XL - C 7002 3M WA80

Reference Code : 9137545

Kit contains 3 mtr Track with clamping accessories, two standard rollers with two end stoppers & one door guide.

Ordering Code : XL - C 7022 3M WA80 BS

Reference Code : 9137576

Kit contains 3 mtr Track with clamping accessories, two standard rollers with two end stoppers & one door guide - 2 Sets

Ordering Code : XL - C 7003 2M WA120

Reference Code : 9137546

Kit contains 2 mtr Track with clamping accessories, two heavy duty rollers with two end stoppers and one door guide.

Ordering Code : XL - C 7004 3M WA120

Reference Code : 9137547

Kit contains 3 mtr Track with clamping accessories, two heavy duty rollers with two end stoppers and one door guide.

Ordering Code : XL - C 7023 3M WA 100 BS

Reference Code : 9137577

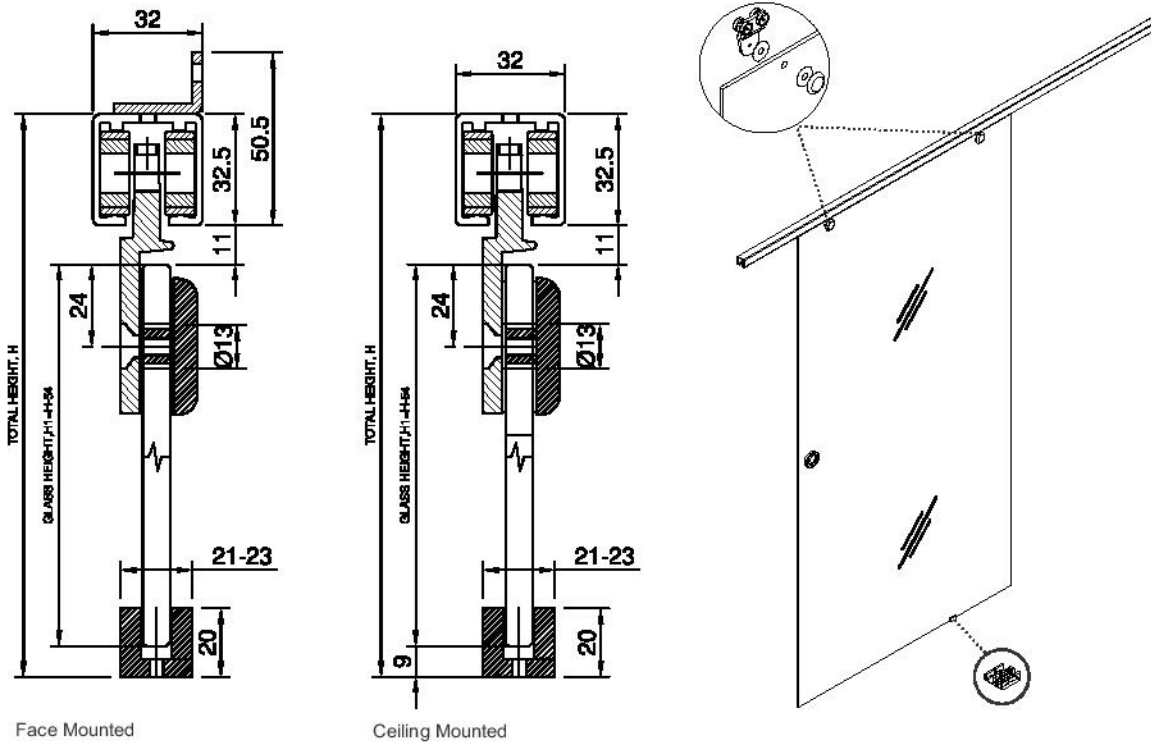
Kit contains 3 mtr Track with clamping accessories, two heavy duty rollers with two end stoppers and one door guide - 2 Sets

Optional Accessories : (Refer Page 13, 16 & 21)

- Hook Lock for Wooden Sliding door : XL - C 2014
- Oval Flush Pull : XL - C 3014A
- EPC - 60 mm / 70 mm

SLIDING GEAR

Wooden Door Application



Face Mounted

Ceiling Mounted

Glass Sliding Door System (without Fixed Panel)

Technical Data	XL - C 7005	XL - C 7006	XL - C 7007	XL - C 7008	XL - C 7024	XL - C 7025
Weight Capacity / Shutter, Kg	80	80	100	100	80	100
Track Length, mm	2000	3000	2000	3000	3000	3000
Max. Door Height, mm	2400	2400	2700	2700	2400	2700
Max. Door Width, mm	1000	1500	1000	1500	750	750
Glass Door Thickness, mm	8 - 10	8 - 10	10 - 12	10 - 12	8 - 10	10 - 12
Bi - Parting Possibility	NO	NO	NO	NO	YES	YES

Ordering Code : XL - C 7005 2M GL80

Reference Code : 9137548

Kit contains 2 mtr Track with clamping accessories, two standard rollers with two end stoppers & one door guide.

Ordering Code : XL - C 7007 2M GL100

Reference Code : 9137550

Kit contains 2 mtr Track with clamping accessories, two heavy duty rollers with two end stoppers & one door guide.

Ordering Code : XL - C 7006 3M GL80

Reference Code : 9137549

Kit contains 3 mtr Track with clamping accessories, two standard rollers with two end stoppers & one door guide.

Ordering Code : XL - C 7008 3M GL100

Reference Code : 9137551

Kit contains 3 mtr Track with clamping accessories, two heavy duty rollers with two end stoppers & one door guide.

Ordering Code : XL - C 7024 3M GL80 BS

Reference Code : 9137578

Kit contains 3 mtr Track with clamping accessories, two standard rollers with two end stoppers & one Door guide - 2 Sets

Ordering Code : XL - C 7025 3M GL100 BS

Reference Code : 9137579

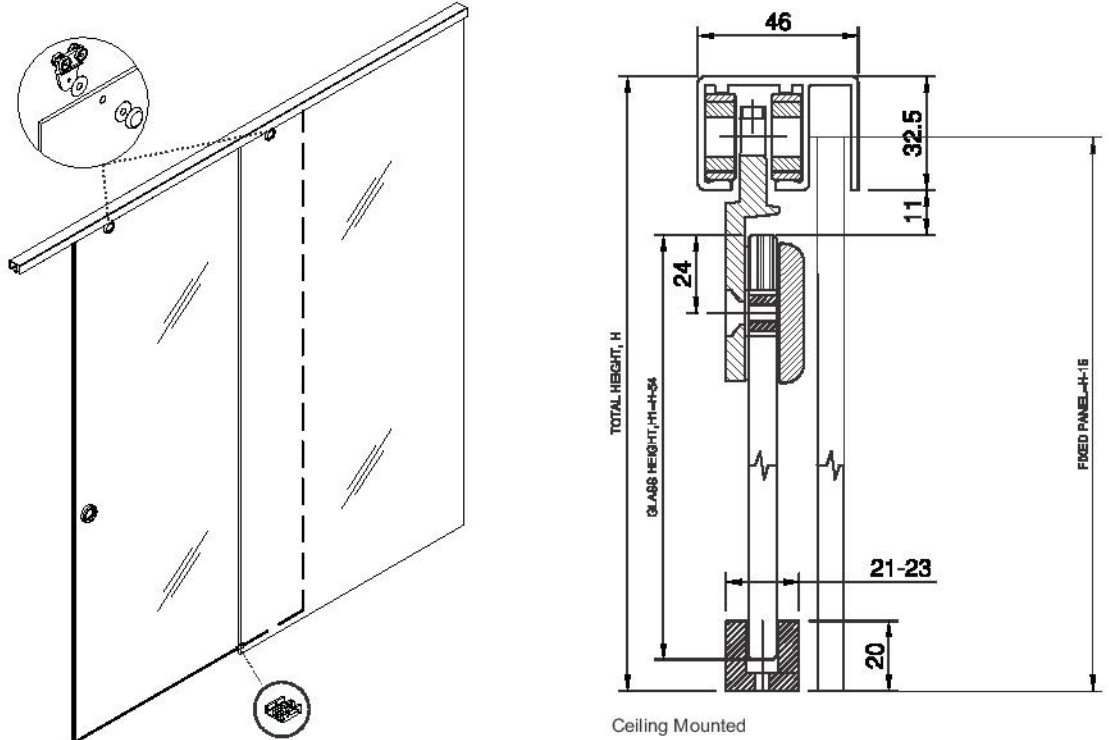
Kit contains 3 mtr Track with clamping accessories, two heavy duty rollers with two end stoppers & one door guide - 2 Sets

Optional Accessories : (Refer Page 54)

- Hook Lock for Glass Sliding door towards Wall : XL - C 7019
- Hook Lock for Glass Sliding door towards Glass : XL - C 7121
- Circular Flush Pull : XL - C 7018

SLIDING GEAR
Glass Door Application
(without fixed panel)

Sliding Gear (Glass Door Application)



Glass Sliding Door System (with Fixed Panel)

Technical Data	XL - C 7009	XL - C 7010	XL - C 7011	XL - C 7012	XL - C 7026	XL - C 7027
Weight Capacity / Shutter, Kg	80	80	100	100	80	100
Track Length, mm	2000	3000	2000	3000	3000	3000
Max. Door Height, mm	2400	2400	2700	2700	2400	2700
Max. Door Width, mm	1000	1500	1000	1500	750	750
Glass Door Thickness, mm	8 - 10	8 - 10	10 - 12	10 - 12	8 - 10	10 - 12
Fixed Glass Door Thickness, mm	8 - 10	8 - 10	8 - 10	8 - 10	8 - 10	8
Bi - Parting Possibility	NO	NO	NO	NO	YES	YES

Ordering Code : XL - C 7009 2M GLF80
Reference Code : 9137552

Kit contains 2 mtr fixed glass track with screws, two standard rollers with two end stoppers & one door guide.

Ordering Code : XL - C 7011 2M GLF100
Reference Code : 9137554

Kit contains 2 mtr fixed glass track with screws, two heavy duty rollers with two end stoppers & one door guide.

Ordering Code : XL - C 7010 3M GLF80
Reference Code : 9137553

Kit contains 3 mtr fixed glass track with screws, two standard rollers with two end stoppers & one door guide.

Ordering Code : XL - C 7012 3M GLF100
Reference Code : 9137555

Kit contains 3 mtr fixed glass track with screws, two heavy duty rollers with two end stoppers & one door guide.

Ordering Code : XL - C 7026 3M GLF80 BS
Reference Code : 9137580

Kit contains 3 mtr fixed glass track with screws, two standard rollers with two end stoppers & one door guide - 2 Sets

Ordering Code : XL - C 7027 3M GLF100 BS
Reference Code : 9137581

Kit contains 3 mtr fixed glass track with screws, two heavy duty rollers with two end stoppers & one door guide - 2 Sets

Optional Accessories : (Refer Page 54)

- Hook Lock for Glass Sliding door towards Wall : XL - C 7019
- Hook Lock for Glass Sliding door towards Glass : XL - C 7121
- Circular Flush Pull : XL - C 7018

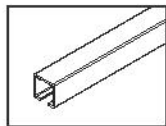
SLIDING GEAR
 Glass Door Application
 (with fixed panel)

Sliding Door (Track & Accessories)

DORMA XL - C®

Ordering Code : **XL - C 7044**

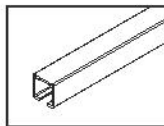
Reference Code : **9137541**



XL - C 7044 Track
w/o Fixed Panel - 2 mtr.

Ordering Code : **XL - C 7045**

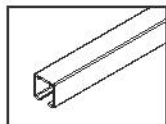
Reference Code : **9137542**



XL - C 7045 Track
w/o Fixed Panel - 3 mtr.

Ordering Code : **XL - C 7046**

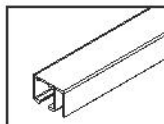
Reference Code : **9137540**



XL - C 7046 Track
w/o Fixed Panel - 4 mtr.

Ordering Code : **XL - C 7047**

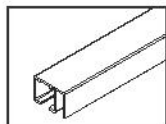
Reference Code : **9137539**



XL - C 7047 Track
with Fixed Panel - 2 mtr.

Ordering Code : **XL - C 7048**

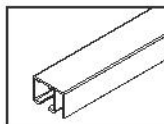
Reference Code : **9137538**



XL - C 7048 Track
with Fixed Panel - 3 mtr.

Ordering Code : **XL - C 7049**

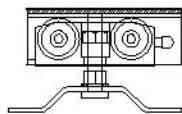
Reference Code : **9137537**



XL - C 7049 Track
with Fixed Panel - 4 mtr.

Ordering Code : **XL - C 7050**

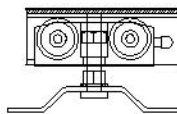
Reference Code : **9137536**



XL - C 7050
Timber Door Roller Set - 80 kg

Ordering Code : **XL - C 7051**

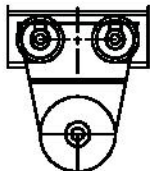
Reference Code : **9137535**



XL - C 7051
Timber Door Roller Set - 120 kg

Ordering Code : **XL - C 7052**

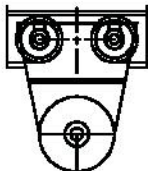
Reference Code : **9137534**



XL - C 7052
Glass Door Roller Set - 80 kg

Ordering Code : **XL - C 7053**

Reference Code : **9137534**

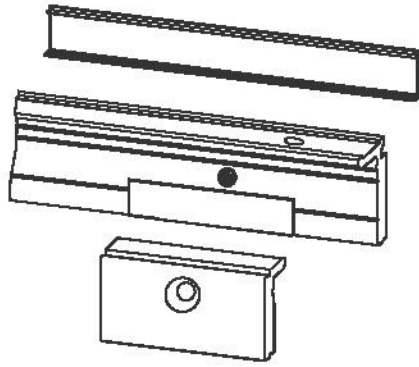


XL - C 7053
Glass Door Roller Set - 100 kg

SLIDING DOOR
(Track & Accessories)

Wall Connecting Profile

WCP 3 Meters - Non Safety Type



Ordering Code : XL - C 4023A

Reference Code : 9137874

Finish : Aluminium Silver

Glass Thickness : 10 mm

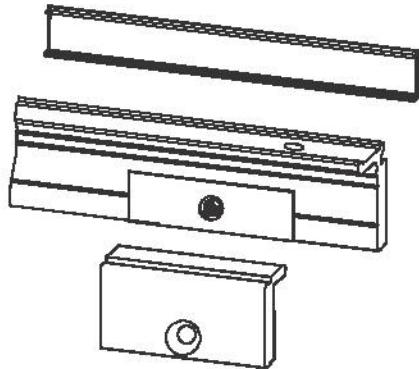
Ordering Code : XL - C 4025A

Reference Code : 9137876

Finish : Aluminium Silver

Glass Thickness : 12 mm

WCP 3 Meters - Safety Type



Ordering Code : XL - C 4024A

Reference Code : 9137875

Finish : Aluminium Silver

Glass Thickness : 10 mm

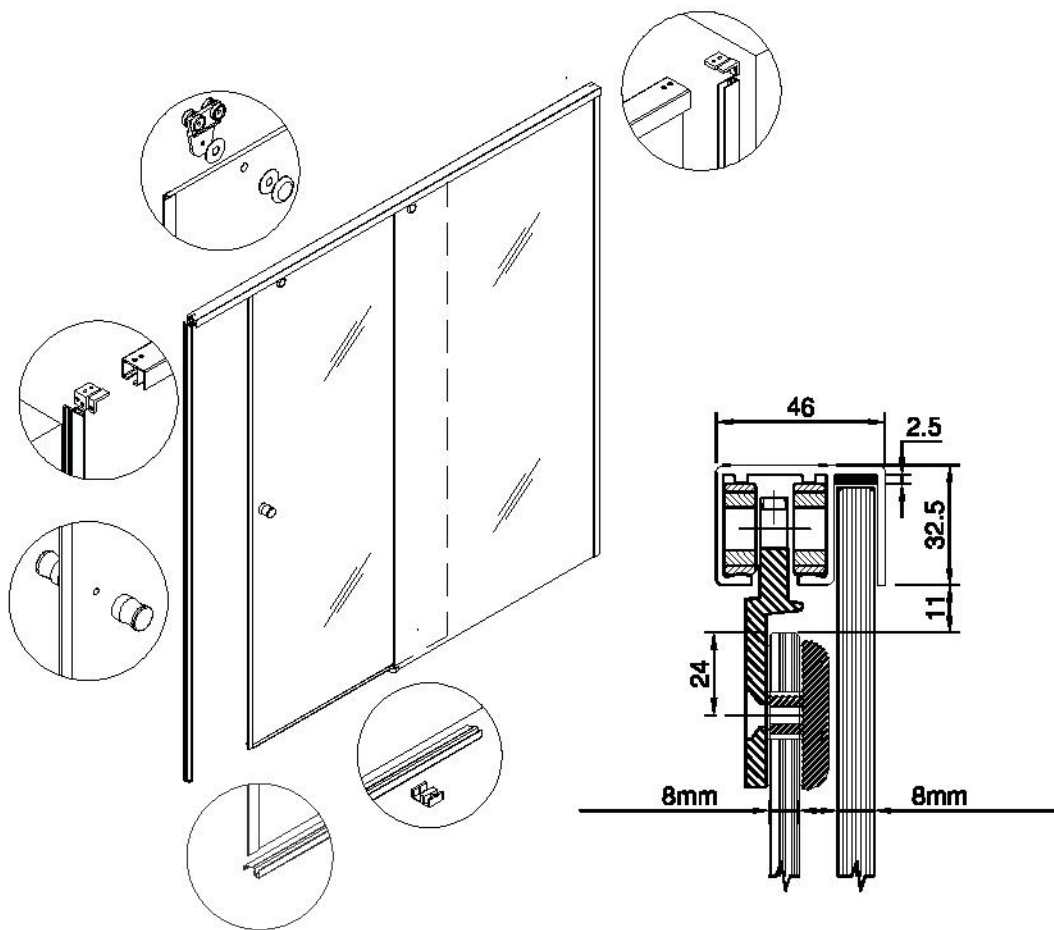
Ordering Code : XL - C 4026A

Reference Code : 9137877

Finish : Aluminium Silver

Glass Thickness : 12 mm

**Wall
Connecting
Profile**



Sliding Shower System

- Max Door size 750 mm
- Max Height 2.5 mtrs.
- 8 mm Glass Thickness
- Standard ball bearing Rollers
- Track Length Max. 2 mtrs.
- Accessories in polished chrome finish
- Profiles in Anodised finish

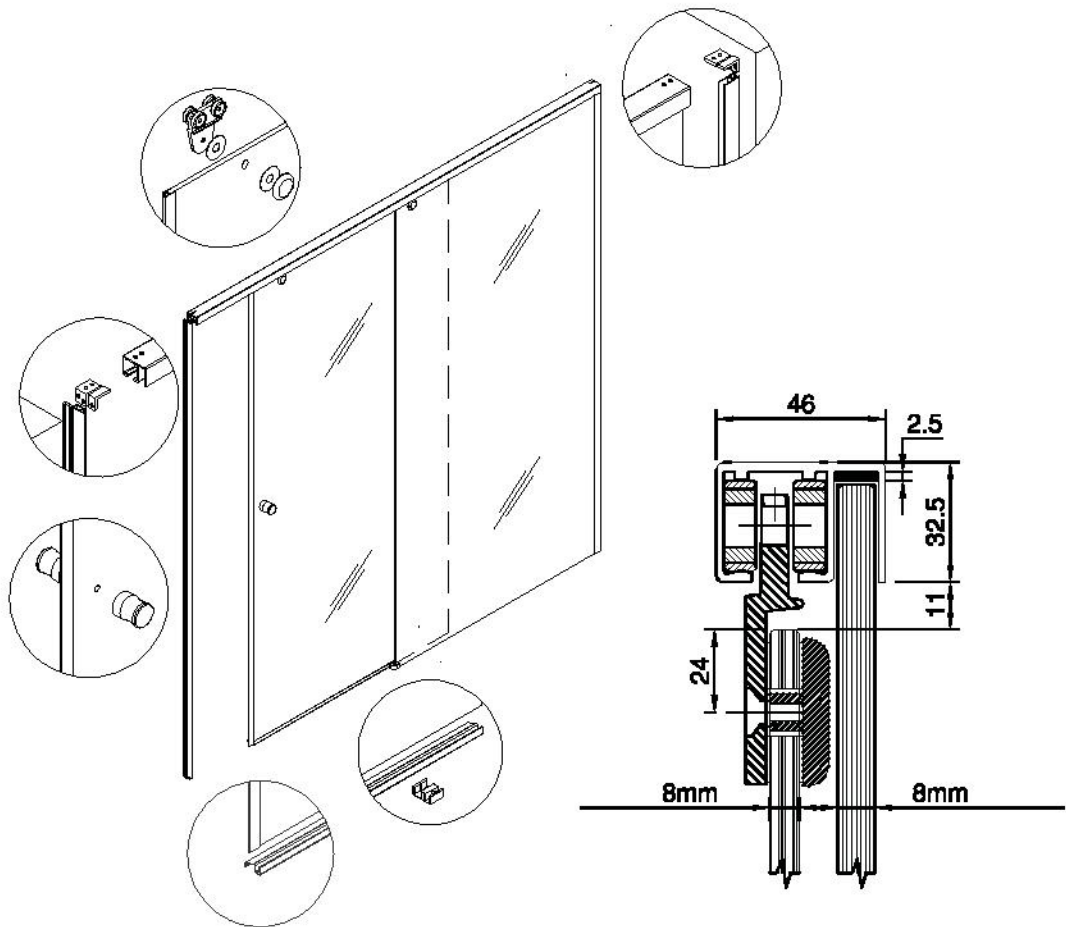
Kit contains :

- 2 mtr Fixed Glass Track with Clamps & screws
- Two standard geared rollers with two end stoppers
- Glass Door guide for 8 mm Glass
- Water Dispenser
- WCP for fixed glass
- 90° Magnetic seal with profile
- Door Knob set

Ordering Code : XL - C 7013 2.5M GLSA60

Reference Code : 9137556

**Sliding
Shower
System**



Sliding Shower System

- Max Door size 750 mm
- Max Height 2 mtrs.
- 8 mm Glass Thickness
- Standard ball bearing Rollers
- Track Length Max. 2 mtrs.
- Accessories in polished chrome finish
- Profiles in Chrome finish

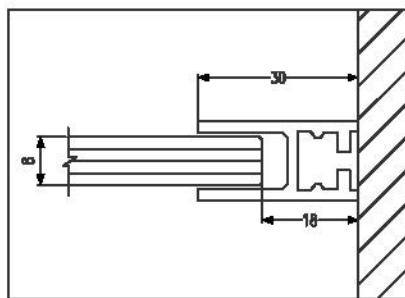
Kit contains :

- 2 mtr Fixed Glass Track with Clamps & screws
- Two standard geared rollers with two end stoppers
- Glass Door guide for 8 mm Glass
- Water Dispenser
- 90° Magnetic seal with profile
- Door Knob set

Ordering Code : XL - C 7042 SSD (Chrome) w/o WCP

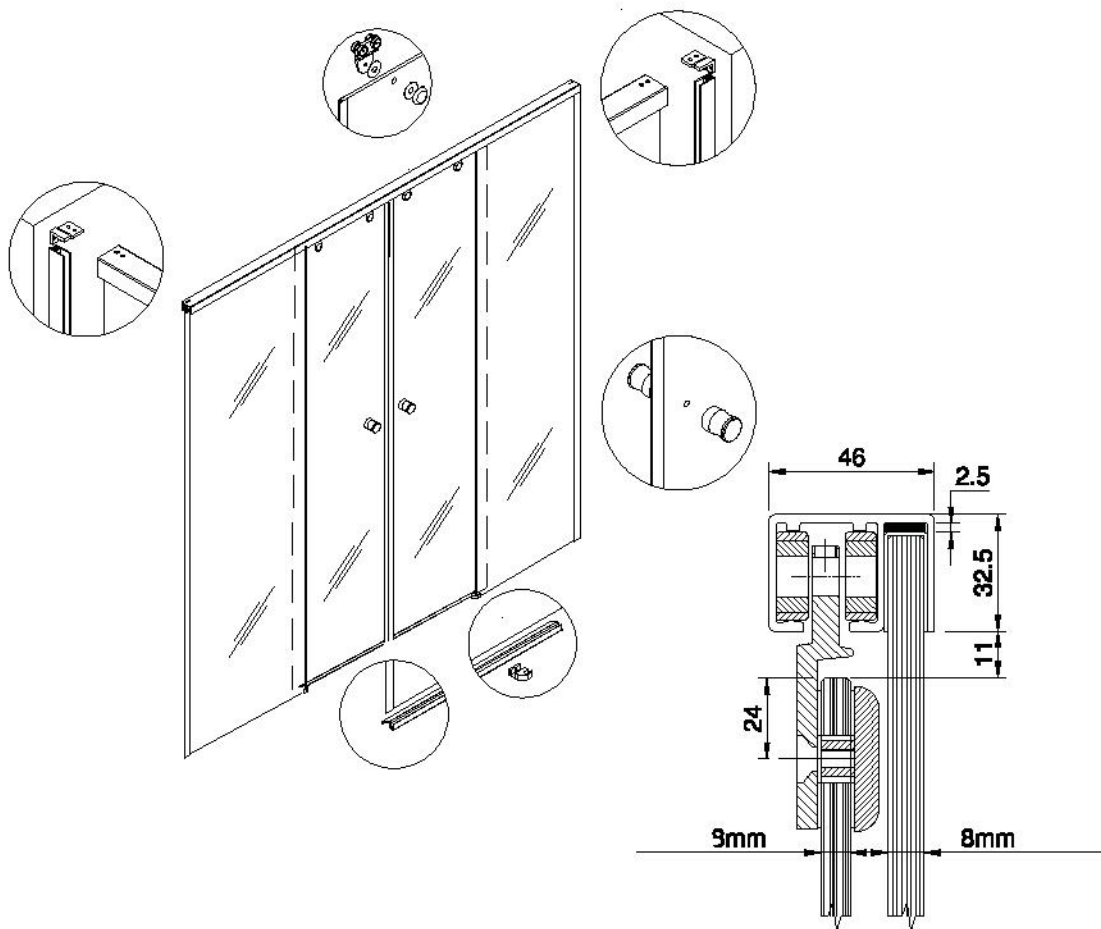
Reference Code : 9137882

Sliding Shower System



Ordering Code : XL - C 7043 Shower - WCP (Chrome) - 2.5 Mtr.

Reference Code : 9137881



Sliding Shower System

- Max Door Width 600 mm
- Max Height 2.5 mtrs.
- 8 mm Glass Thickness
- Standard duty ball bearing Rollers
- Track Length Max. 3 mtrs.
- Accessories in polished chrome finish
- Profiles in Anodised finish

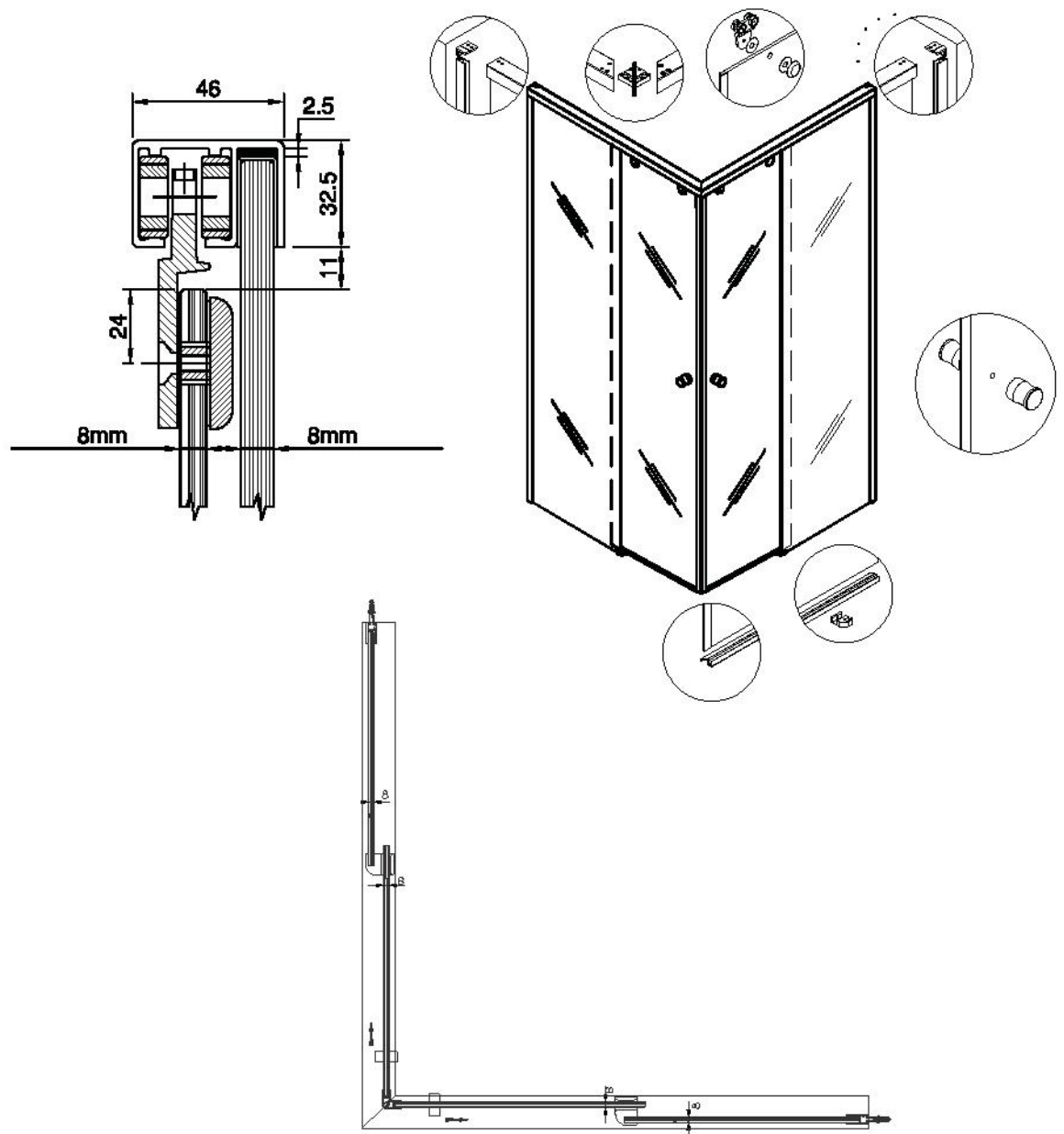
Kit contains :

- 3 mtr Fixed Glass Track with Clamps & screws
- Two sets of standard geared rollers with end stopper
- Glass Door guides for 8 mm Glass (LH, RH)
- Water Disperser
- WCP for fixed glass - 2 Nos.
- 180° Magnetic Seal
- Door Knob sets

Ordering Code : XL - C 7036 2.5M GLSA70

Reference Code : 9101333

**Sliding
Shower
System**



Sliding Shower System

- Max Door size 600 mm per leaf
- Max Height 2.5 Meters
- 8mm Glass Thickness
- Standard duty ball bearing Rollers
- Accessories in polished chrome finish
- Profiles in Anodised finish

Kit contains :

- Set of 1.5 mtr. Fixed Glass Track with Clamps & screws
- Two sets of standard geared rollers with end stopper
- Glass Door guides for 8 mm Glass (LH, RH)
- Water Disperser
- WCP for fixed glass - 2 Nos.
- 90° Magnetic Seal
- Door Knob sets

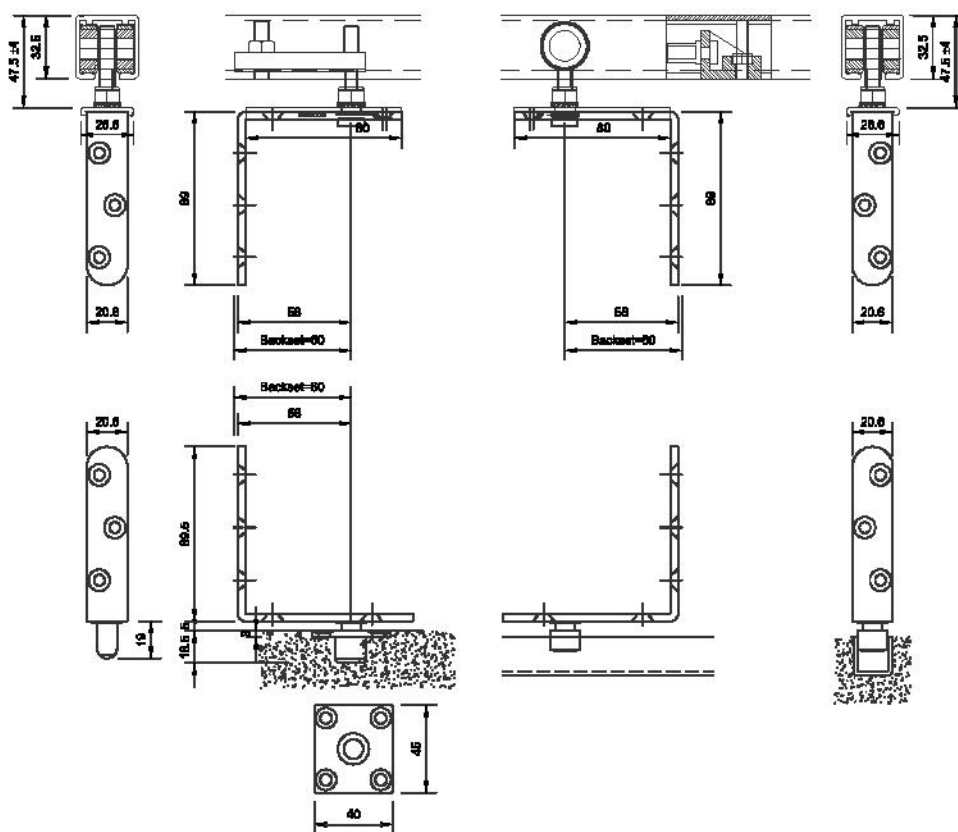
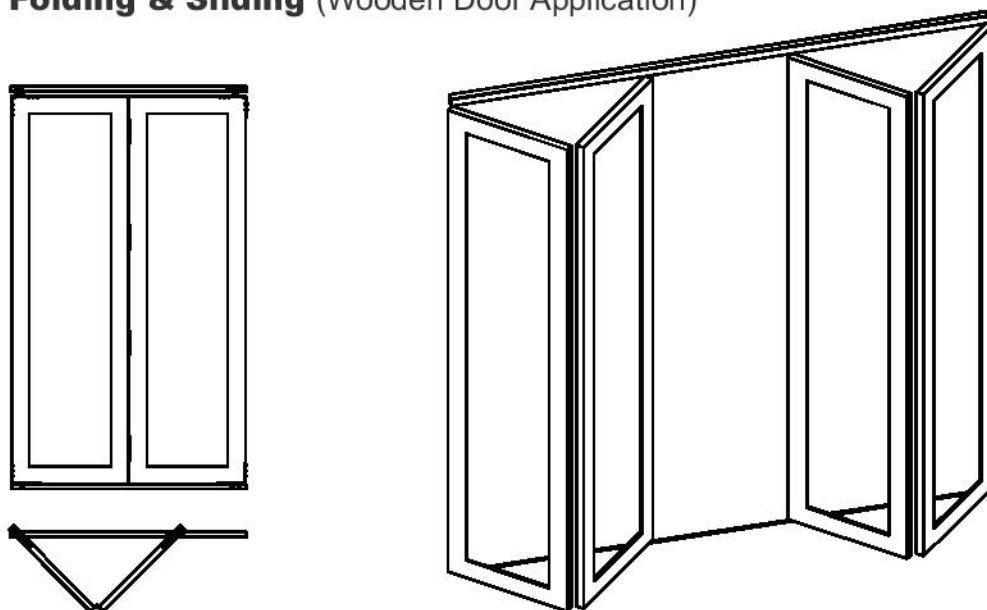
Ordering Code : XL - C 7037 2.5 M GLSA90

Reference Code : 9101334

**Sliding
Shower
System**

Folding & Sliding (Wooden Door Application)

DORMA XL - C®



Standard Wooden Folding Sliding - SF1

- Max 80 kg/System
- 30 - 34 mm Shutter Thickness
- Each Shutter weight - Max. 40 kg
- Standard duty bearing roller & clamp
- Heavy duty track - Satin finish
- Bottom Channel
- Butt Hinges (Optional) Ref : BB Hinge spec.
- Hook Lock for Wooden Sliding (Optional)
- Flush pull (Optional)
- Flush bolt (Optional)

Ordering Code : XL - C 7014 2M SFW80

Reference Code : 9137559

Kit contains 2 mtr. track with screws, standard pivot clamps, standard duty roller and single wheel bottom guide

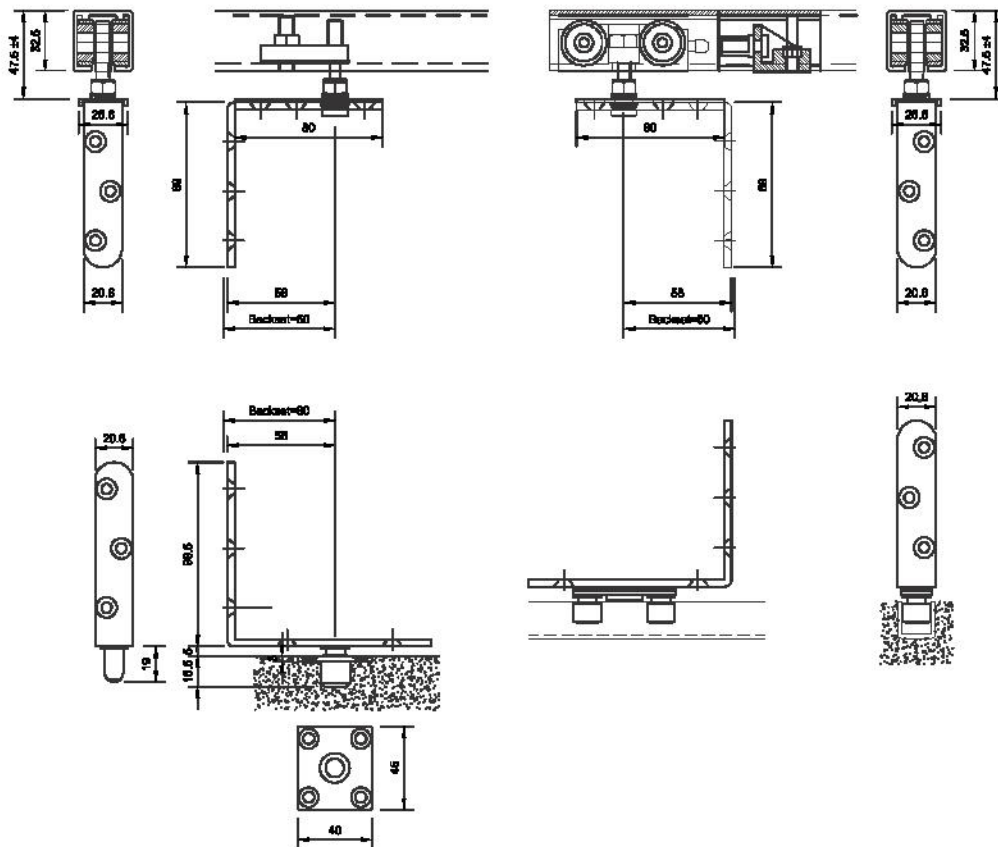
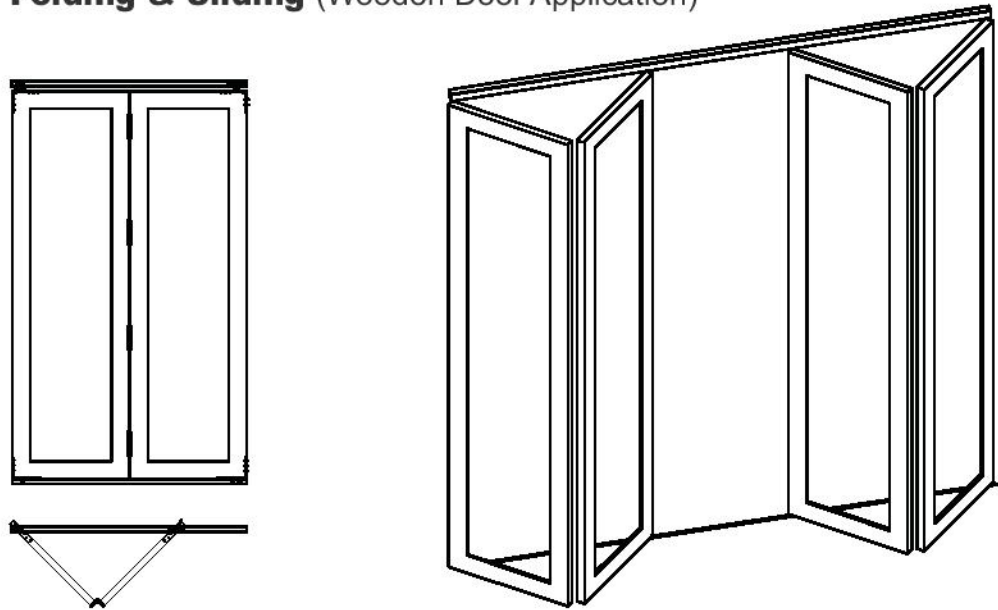
Ordering Code : XL - C 7033 3MBP SFW80

Reference Code : 9137585

Bi-parting door kit contains 3 mtr track with screws, two sets of standard pivot clamps, standard duty roller and single wheel bottom guide

**Folding &
Sliding
Wooden Door
Application**

Folding & Sliding (Wooden Door Application)



Heavy Duty Wooden Folding Sliding - SF2

- Max 120 kg/System
- 30 - 40 mm Shutter Thickness
- Each Shutter weight - Max. 60 kg
- Heavy duty bearing roller & clamp
- Heavy duty track - Satin finish
- Bottom Channel
- Butt Hinges Ref : BB Hinge Spec.
- Hook Lock for Wooden Sliding (Optional)
- Flush pull (Optional)
- Flush bolt (Optional)

Ordering Code : XL - C 7039 3M SFW120

Reference Code : 9137560

Kit contains 3 mtr track with screws, heavy duty pivot clamp, heavy duty roller and double wheel bottom guide

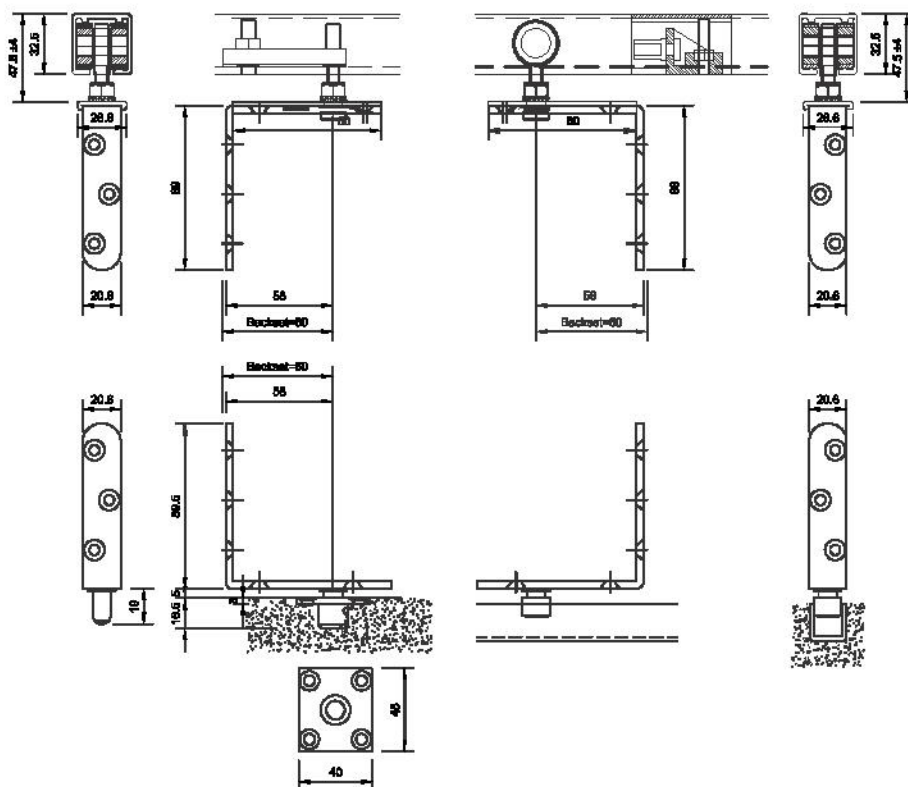
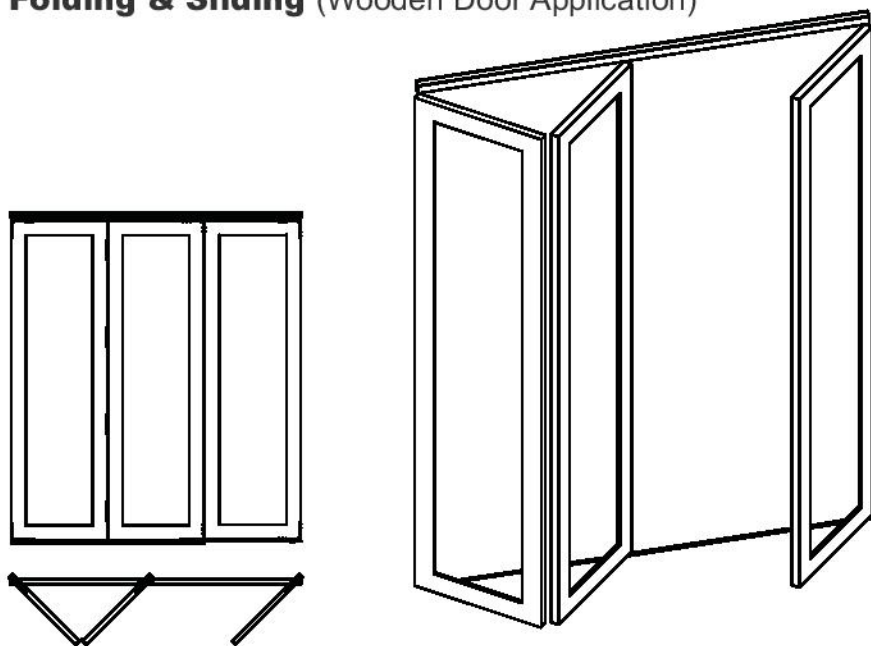
Ordering Code : XL - C 7034 4MBP SFW120

Reference Code : 9137586

Bi-parting door kit contains 4 mtr track with screws, heavy duty pivot clamp, heavy duty roller and double wheel bottom guide

Folding & Sliding (Wooden Door Application)

DORMA XL - C®



Standard Wooden Folding Sliding - SF3

- Max 80 kg/System
- 30 - 34 mm Shutter Thickness
- Each Shutter weight - Max. 40 kg
- Standard duty bearing roller & clamp
- Heavy duty track - Satin finish
- Bottom Channel
- Butt Hinges (Optional) Ref: BB hinge Spec.
- Hook Lock for Wooden Sliding (Optional)
- Flush pull (Optional)
- Flush bolt (Optional)

Ordering Code : XL - C 7040 3M SFW80

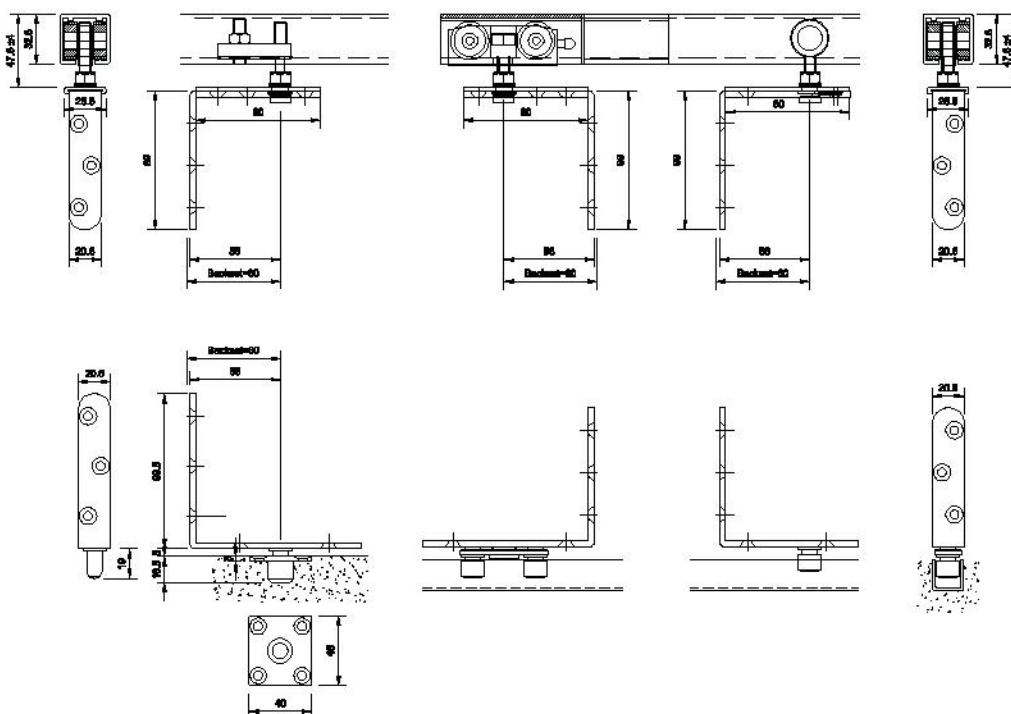
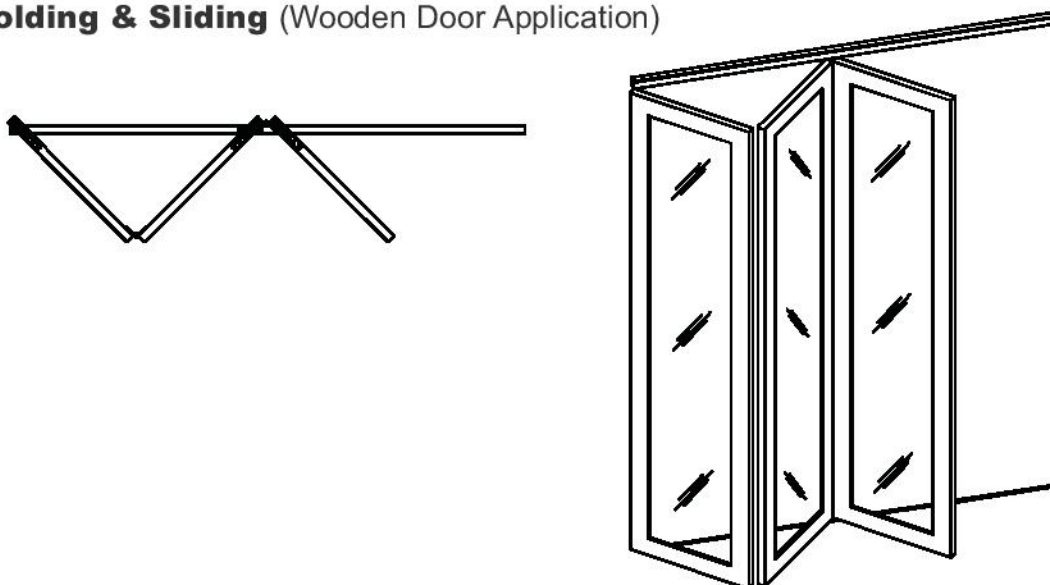
Reference Code : 9137562

Kit contains 3 mtr track with screws, standard duty pivot clamps, standard roller and single wheel bottom guide

**Folding &
Sliding
Wooden Door
Application**

Folding & Sliding (Wooden Door Application)

DORMA XL - C®



Standard Wooden Folding Sliding - SF5

- Max 80 kg/System
- 30 - 34 mm Shutter Thickness
- Each Shutter weight - Max. 40 kg
- Standard duty bearing roller & clamp
- Heavy duty Track - Satin finish
- Bottom Channel
- Butt Hinges (Optional) Ref: BB Hinge Spec.
- Hook Lock for Wooden Sliding (Optional)
- Flush pull (Optional)
- Flush bolt (Optional)

Ordering Code : XL - C 7030 3M SFW80

Reference Code : 9101331

Kit contains 3 mtr. track with screws, standard duty pivot clamps, two wheel rollers and single wheel bottom guide

Heavy Duty Wooden Folding Sliding - SF6

- Max 120 kg/System
- 30 - 40 mm Shutter Thickness
- Each Shutter weight - Max. 60 kg
- Heavy duty bearing roller & clamp
- Heavy duty Track - Satin finish
- Bottom Channel
- Butt Hinges (Optional) Ref: BB Hinge Spec.
- Hook Lock for Wooden Sliding (Optional)
- Flush pull (Optional)
- Flush bolt (Optional)

Ordering Code : XL - C 7031 3M SFW120

Reference Code : 9101332

Kit contains 3 mtr. track with screws, heavy duty pivot clamps, four wheel rollers and double wheel bottom guide

**Folding &
Sliding
Wooden Door
Application**

AFFORDABLE

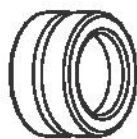
AVAILABLE

SAFE

RELIABLE

FUNCTIONAL

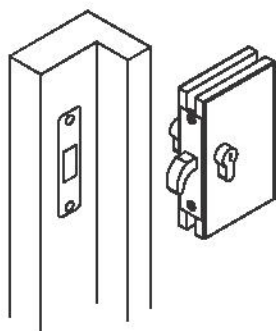
53



Circular Flush Pull
Satin Finish
Outer Dia 70mm
Hole Dia 50mm

Ordering Code : XL - C 7018

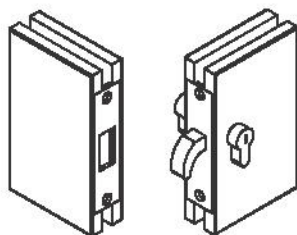
Reference Code : 9138056



Hook Lock for Glass Sliding
Glass to Wall or Wood

Ordering Code : XL - C 7019

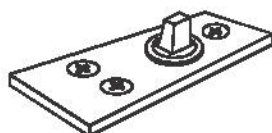
Reference Code : 9138057



Hook Lock for Glass Sliding
Glass to Glass with Strike box

Ordering Code : XL - C 7121

Reference Code : 9138059



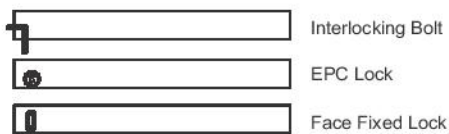
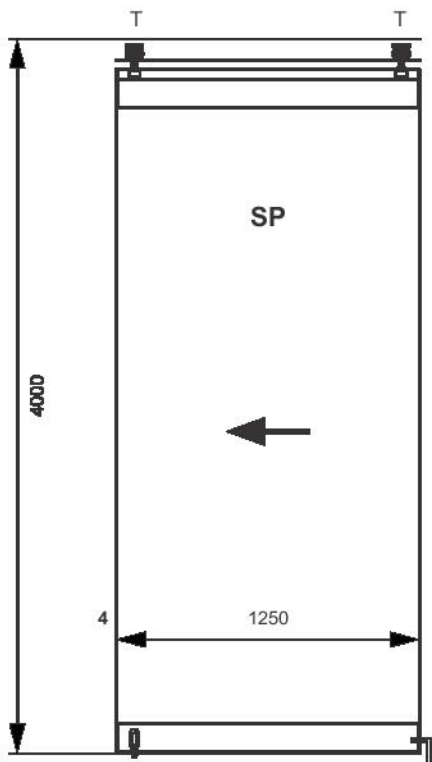
Floor Pivot Bearing

Ordering Code : XL - C 4015A

Reference Code : 9137574

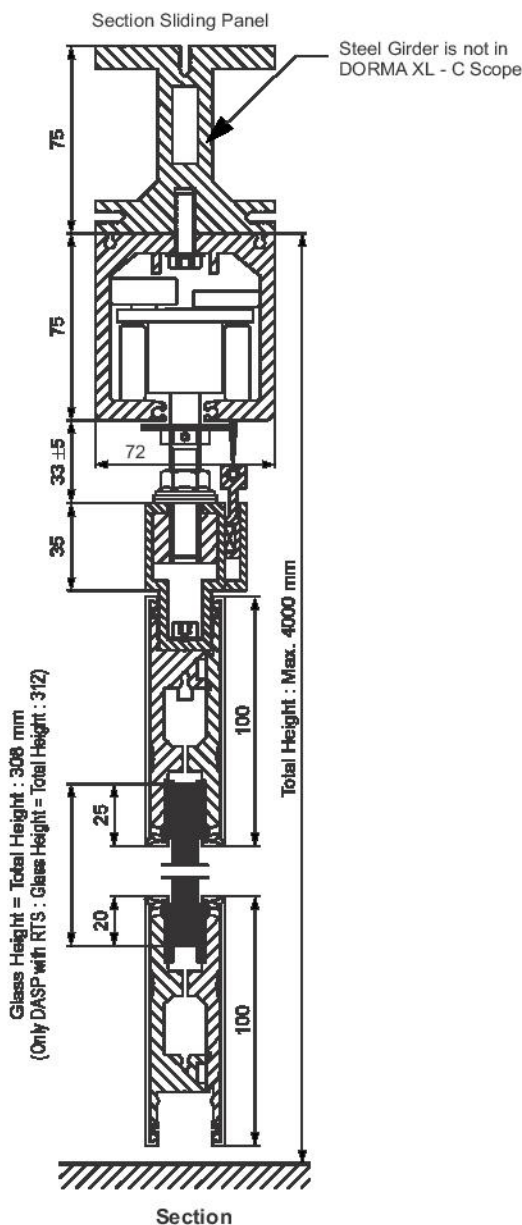
Horizontal Sliding Wall

DORMA XL - C®



Features *

- Max Height upto 4000 mm
- Max Width of 1250 mm/Panel
- Max weight of 150 kg for Sliding panel
- Max weight of 150 kg for Swing Door
- Brush seals on top
- Can be integrated with Floor Spring
- 10 mm / 12 mm glass Thickness
- Face Fixed Lock / EPC / Interlocking Bolt
- Parking panels using various options
- Can be Integrated using LM Profile / Neoprene seal / Line profile / Rubber seal



* Product on RFQ basis

Ordering Code : XL - C 7016

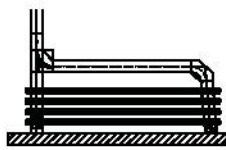
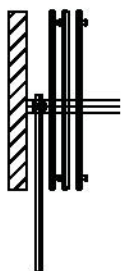
** Zero Parking

- Max Height upto 2400 mm
- Max Width of 1000 mm/Panel
- Max weight of 70 kg for Sliding panel

***"Zero" Parking

Parallel Parking

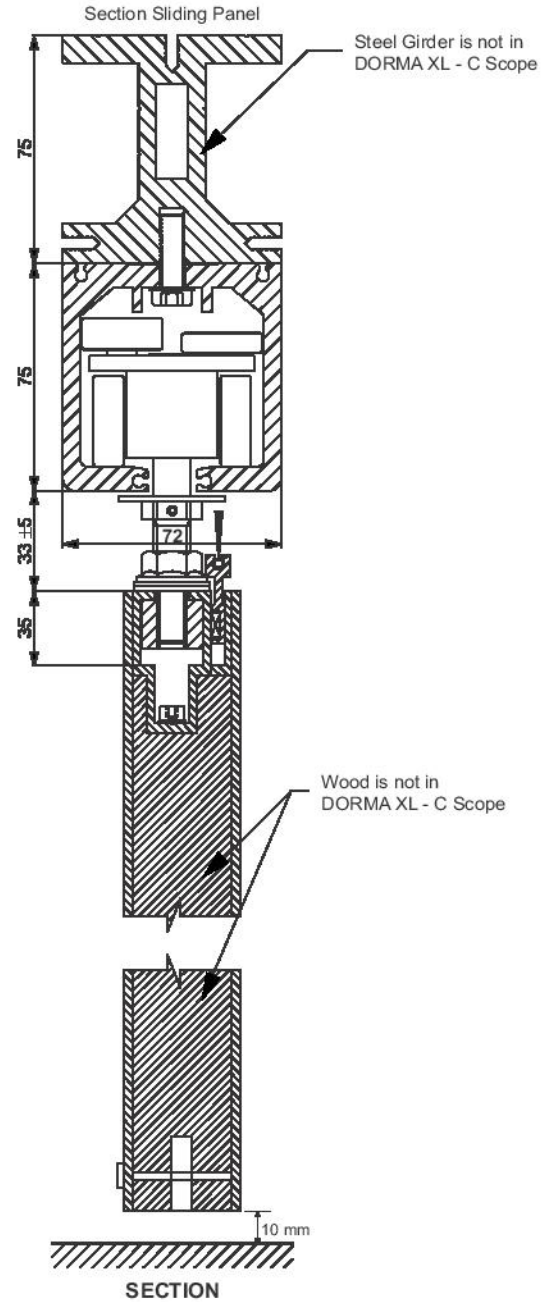
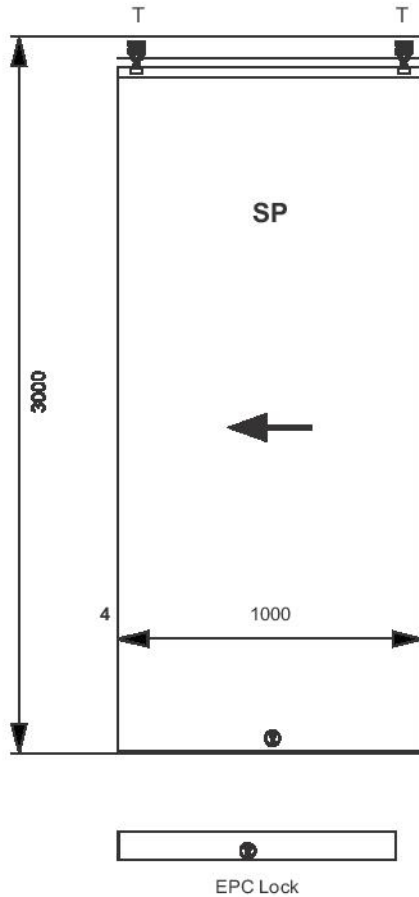
Perpendicular Parking



Optional Seals :
Clipping on glass
1. LM Profile
2. Neoprene Seal
Fixing on Rail
1. Line Profile
Bottom Seal
1. Rubber Seal

Horizontal Sliding Wall (HSW)

Horizontal Sliding Wall (Wood)



Features *

- Max Height upto 3000 mm
- Max Width of 1000 mm/Panel
- Max weight of 100 kg for Sliding panel
- Max weight of 100 kg for Swing Door
- Brush seals on top
- Can be integrated with Floor Spring
- Minimum Wood Thickness 50 mm
- EPC Lock 60 mm
- Parking panels using various options

**** Zero Parking**

- Max Height upto 2400 mm
- Max Width of 1000 mm/Panel
- Max weight of 70 kg for Sliding panel

* Product on RFQ basis

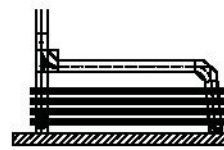
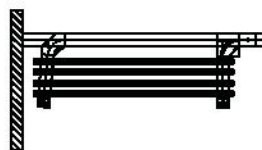
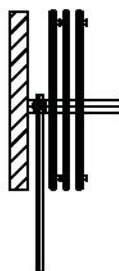
Ordering Code : XL - C 7016

Horizontal Sliding Wall (HSW)

*****"Zero" Parking**

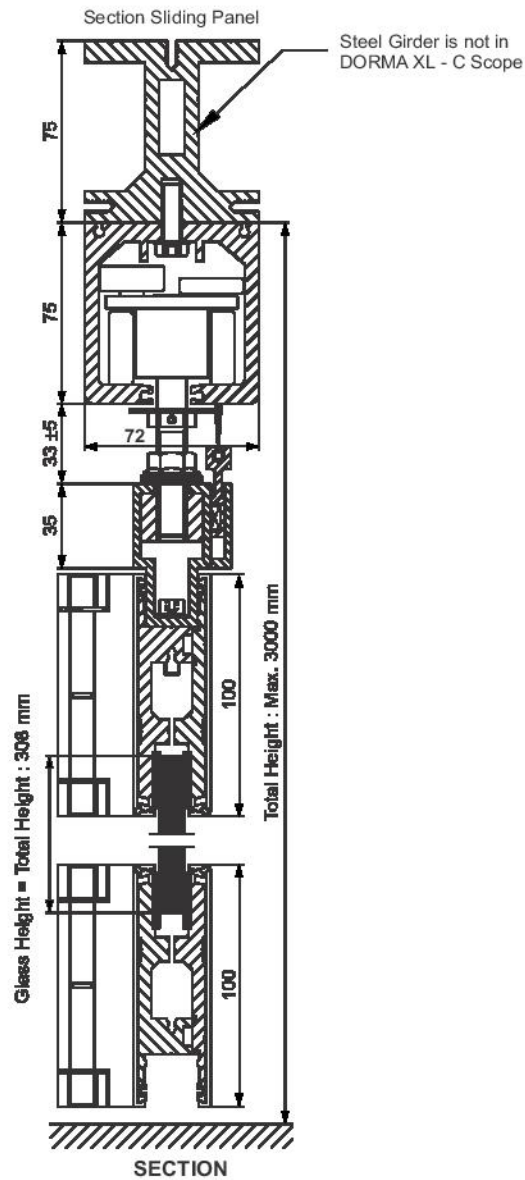
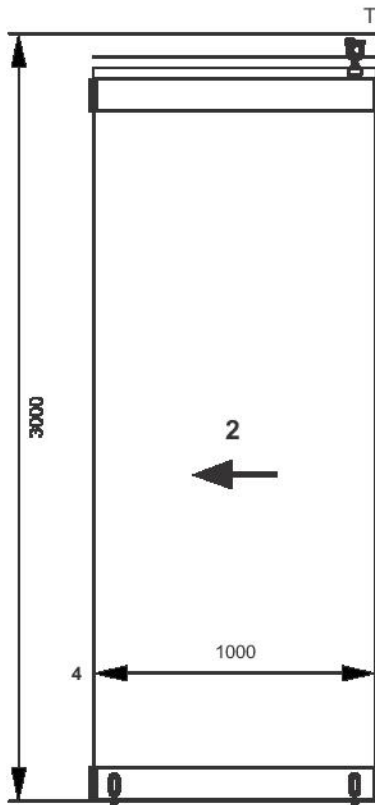
Parallel Parking

Perpendicular Parking



Folding Sliding Wall (G)

DORMA XL - C®



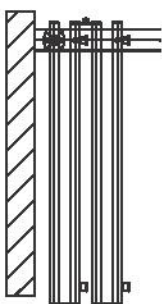
Features* of 100 mm FSW

- Max Height upto 3000 mm
- Max Width of 1000 mm/Panel
- Max weight of 70 kg for sliding panel
- Brush seals on top
- 10 mm / 12 mm glass thickness
- Floor mount locking using EPC / FB
- Parking panels with G type
- Can be Integrated using LM / Clear Profile / Rubber seal

* Product on RFQ basis

Ordering Code : XL - C 7017

Parking



Optional Seals :

Clipping on glass

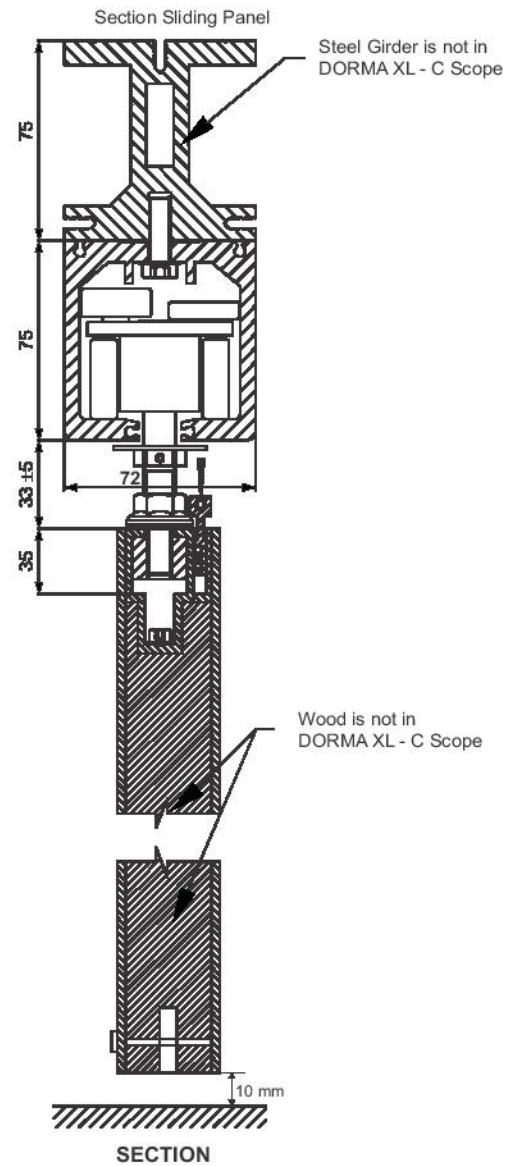
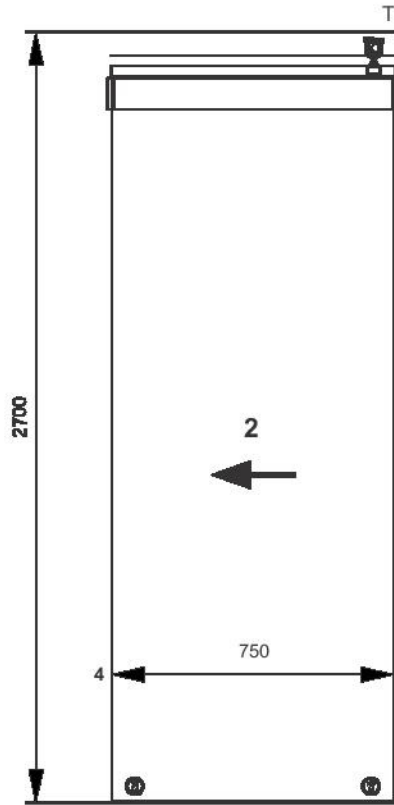
1. LM Profile
2. Neoprene Seal

Bottom Seal

1. Rubber Seal

**Folding
Sliding Wall
(FSW)**

Folding Sliding Wall (G) Wood



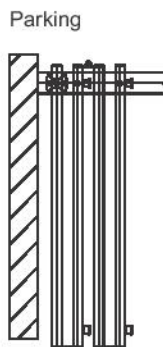
Features* of 100 mm FSW

- Max Height upto 2700 mm
- Max Width of 750 mm/Panel
- Max weight of 50 kg for sliding panel
- Brush seals on top
- Minimum Wood Thickness 50 mm
- EPC Lock 60 mm
- Parking panels with G type

* Product on RFQ basis

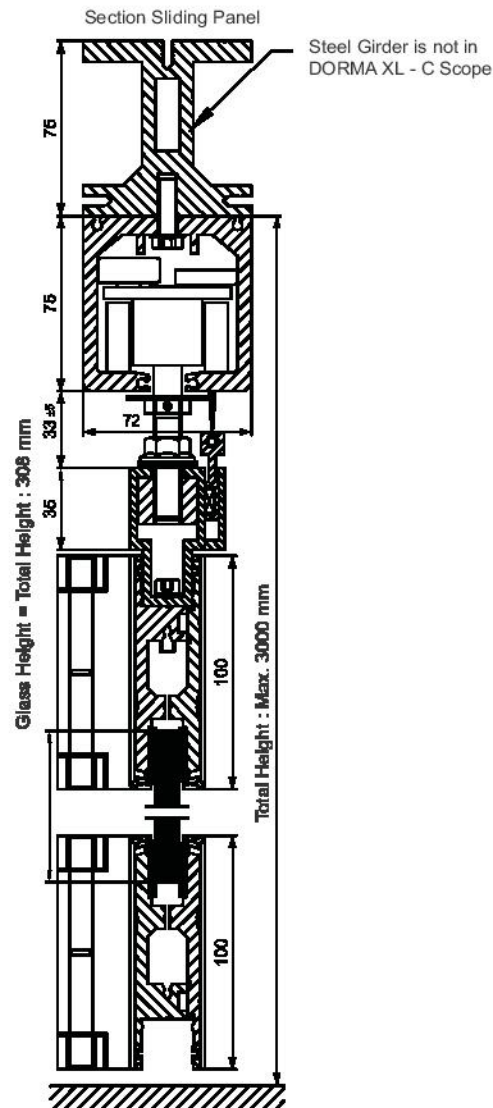
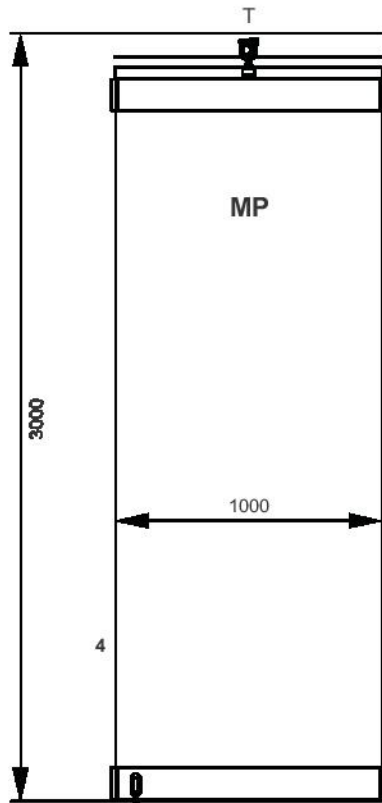
Ordering Code : XL - C 7017

Folding Sliding Wall (FSW)



Folding Sliding Wall (C)

DORMA XL - C®



SECTION

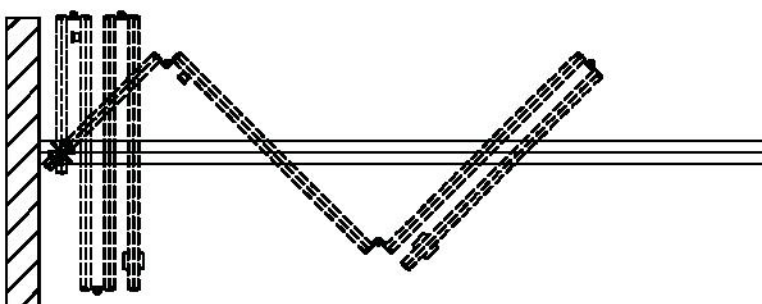
Features* of 100 mm FSW

- Max Height upto 3000 mm
- Max Width of 1000 mm/Panel
- Max weight of 70 kg for sliding panel
- Brush seals on top
- 10 mm / 12 mm glass Thickness
- Floor mount locking using EPC / FB
- Parking panels with C type
- Can be Integrated using LM / Clear Profile / Rubber seal

* Product on RFQ basis

Ordering Code : XL - C 7017

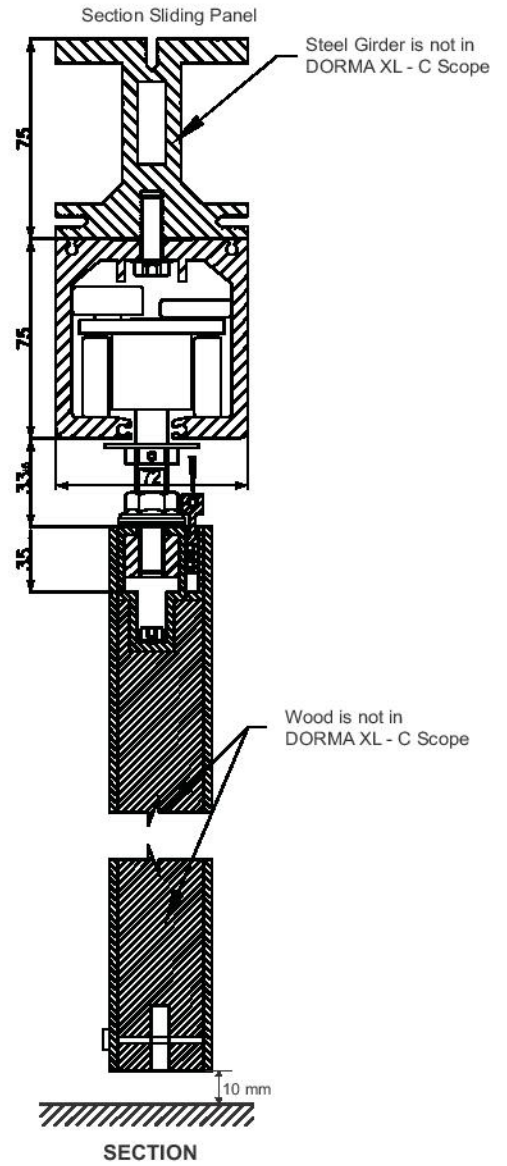
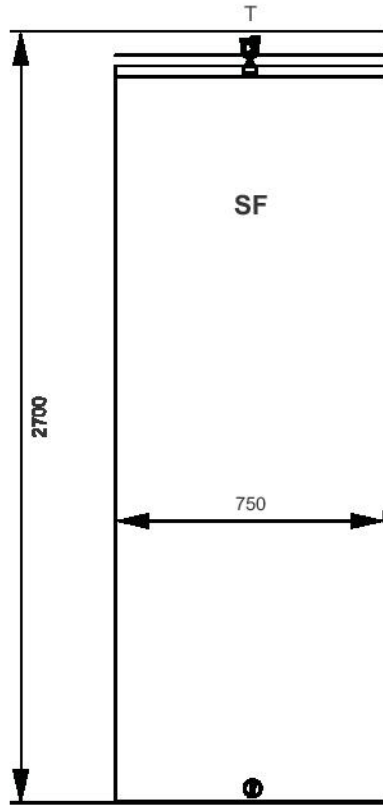
Parking



- Optional Seals :**
- Clipping on glass**
1. LM Profile
 2. Neoprene Seal
- Bottom Seal**
1. Rubber Seal

**Folding
Sliding Wall
(FSW)**

Folding Sliding Wall (C) Wood



Features* of 100 mm FSW

- Max Height upto 2700 mm
- Max Width of 750 mm/Panel
- Max weight of 50 kg for sliding panel
- Brush seals on top
- Minimum Wood Thickness 50 mm
- EPC Lock 60 mm
- Parking panels with C type

* Product on RFQ basis

Ordering Code : XL - C 7017

Folding Sliding Wall (FSW)

