

Floor spring with 90° hold open (EN 4)

Finish : SSS

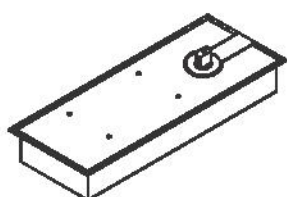
Width of door : 1100 mm

Weight of door : 100 kgs

Adjustable sweep speed & closing speed

Ordering Code : XL - C 1007

Reference Code : 9127348



Floor spring with 90° hold open without accessories (EN 3)

Finish : SSS

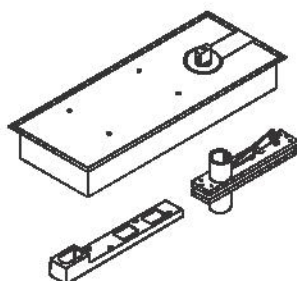
Width of door : 950 mm

Weight of door : 80 kgs

Adjustable sweep speed & closing speed

Ordering Code : XL - C 6100

Reference Code : 9110636



Floor spring with 90° hold open with wooden door accessories (EN 3)

Finish : SSS

Width of door : 950 mm

Weight of door : 80 kgs

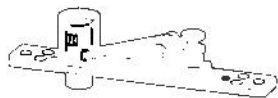
Adjustable sweep speed & closing speed

Ordering Code : XL - C 6101

Reference Code : 9110637

Floor Spring Accessories

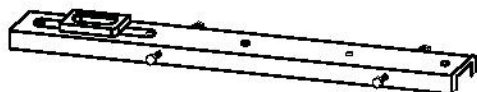
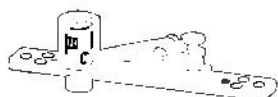
Wooden Door Accessories - Top Centre and Bottom Strap



Ordering Code : XL - C 1012A

Reference Code : 9127388

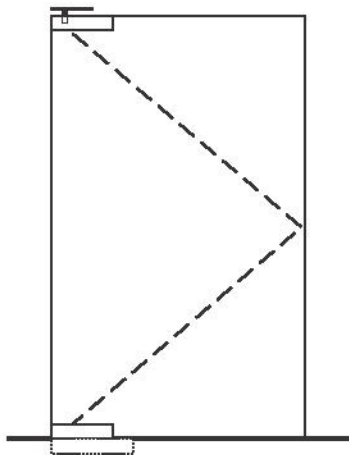
Aluminium Door Accessories - Top Centre and Bottom Strap



Ordering Code : XL - C 1013A

Reference Code : 9127389

Glass Door Package (without Lock)



Glass Door Package consists of

- 1. Top Pivot - 1 No.
- 2. Top Patch - 1 No.
- 3. Bottom Patch - 1 No.
- 4. Floor Spring (EN4) - 1 No.
- Maximum Door Width - 1100 mm
- Maximum Door Weight - 100 Kgs

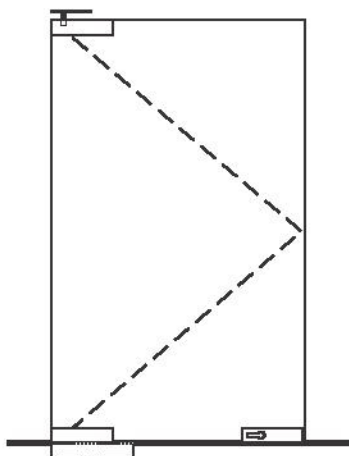
Finish : Polished Chrome

Suitable for Glass Thickness : 10mm / 12mm

Ordering Code : XL - C 4000

Reference Code : 9137527

Glass Door Package (with Lock)



Glass Door Package consists of

- 1. Top Pivot - 1 No.
- 2. Top Patch - 1 No.
- 3. Bottom Patch - 1 No.
- 4. Corner Lock patch with EPC & floor strike - 1 No.
- 5. Floor Spring (EN4) - 1 No.
- Maximum Door Width - 1100 mm
- Maximum Door Weight - 100 Kgs

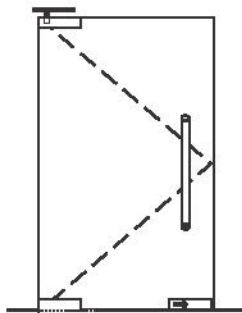
Finish : Polished Chrome

Suitable for Glass Thickness : 10mm / 12mm

Ordering Code : XL - C 4001B

Reference Code : 9142029

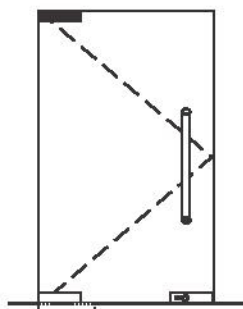
Top Pivot



Ordering Code : XL - C 4014

Reference Code : 9137571

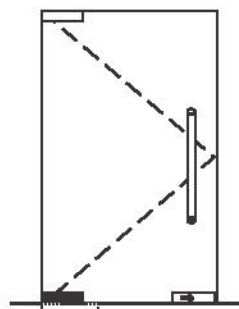
Top Patch



Ordering Code : XL - C 4012

Reference Code : 9137572

Bottom Patch



Ordering Code : XL - C 4013

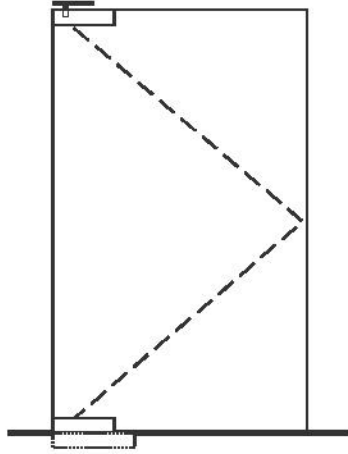
Reference Code : 9137573

Finish : Polished Chrome

Suitable for Glass Thickness : 10 mm / 12 mm

Note : Not to be sold in loose, for replacement only

Glass Door Package

Glass Door Package (without Lock)**Glass Door Package consists of**

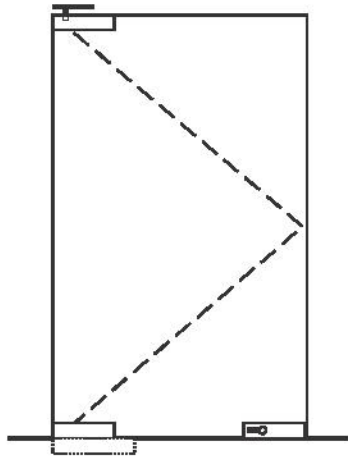
- | | | |
|-----------------------|---|--------|
| 1. Top Pivot | - | 1 No. |
| 2. Top Patch | - | 1 No. |
| 3. Bottom Patch | - | 1 No. |
| 4. Floor Spring (EN3) | - | 1 No. |
| Maximum Door Width | - | 950 mm |
| Maximum Door Weight | - | 80 Kgs |

Finish : Polished Chrome

Suitable for Glass Thickness : 10 mm / 12 mm

Ordering Code : XL - C 4050

Reference Code : 9137879

Glass Door Package (with Lock)**Glass Door Package consists of**

- | | | |
|---|---|--------|
| 1. Top Pivot | - | 1 No. |
| 2. Top Patch | - | 1 No. |
| 3. Bottom Patch | - | 1 No. |
| 4. Corner Lock patch with EPC
& floor strike | - | 1 No. |
| 5. Floor Spring (EN3) | - | 1 No. |
| Maximum Door Width | - | 950 mm |
| Maximum Door Weight | - | 80 Kgs |

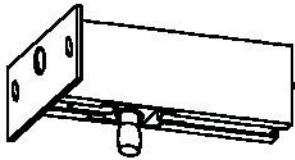
Finish : Polished Chrome

Suitable for Glass Thickness : 10 mm / 12 mm

Ordering Code : XL - C 4051

Reference Code : 9137880

Fanlight patch for wall fixing

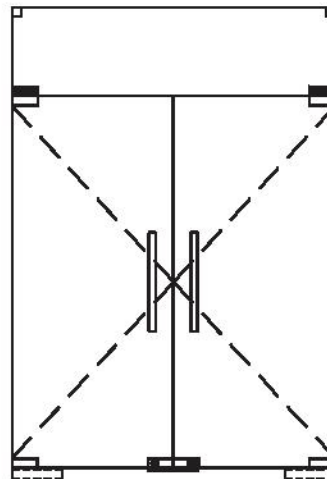


Ordering Code : XL - C 4002A

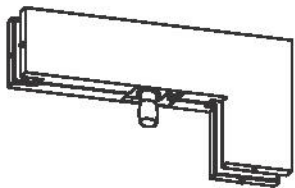
Reference Code : 9137502

Finish : Polished Chrome

Suitable for Glass Thickness : 10 mm / 12 mm



Patch fitting for overpanel and sidelight

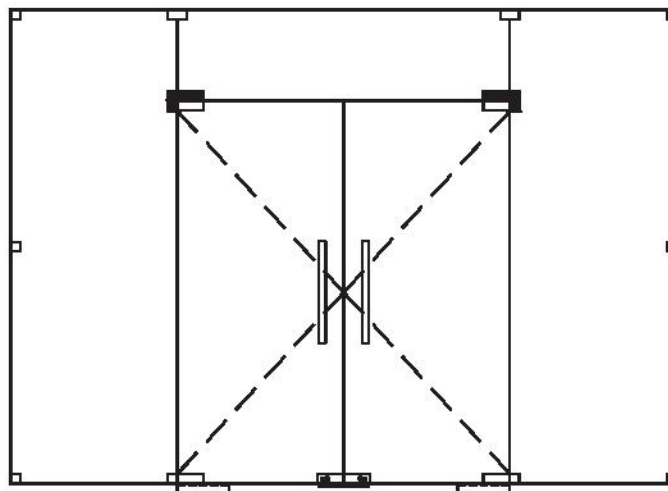


Ordering Code : XL - C 4003A

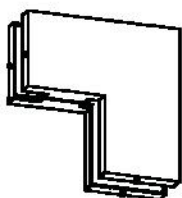
Reference Code : 9137503

Finish : Polished Chrome

Suitable for Glass Thickness : 10 mm / 12 mm



Connector for overpanel and Sidelight

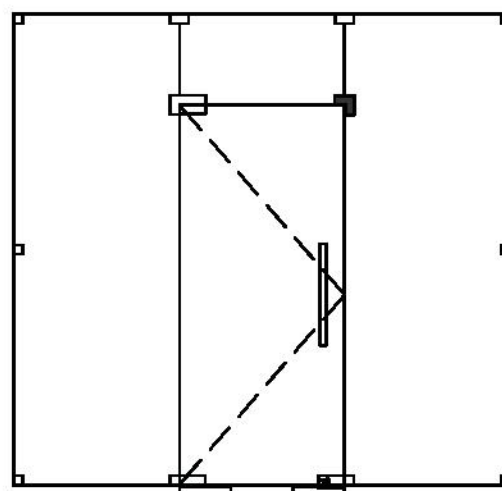


Ordering Code : XL - C 4004A

Reference Code : 9137505

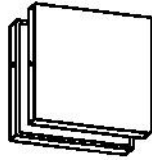
Finish : Polished Chrome

Suitable for Glass Thickness : 10 mm / 12 mm



Glass Door Accessories

Patch fitting for over panel and sidelight with pivot and Fin (LH)*

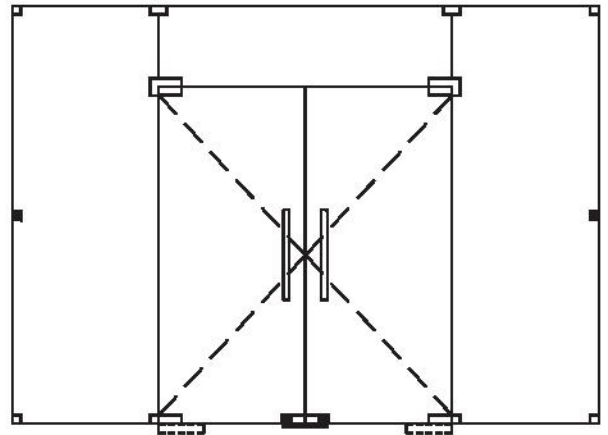
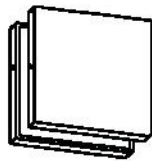
Central Connector

Ordering Code : XL - C 4006A

Reference Code : 9137504

Finish : Polished Chrome

Suitable for Glass Thickness : 10 mm / 12 mm

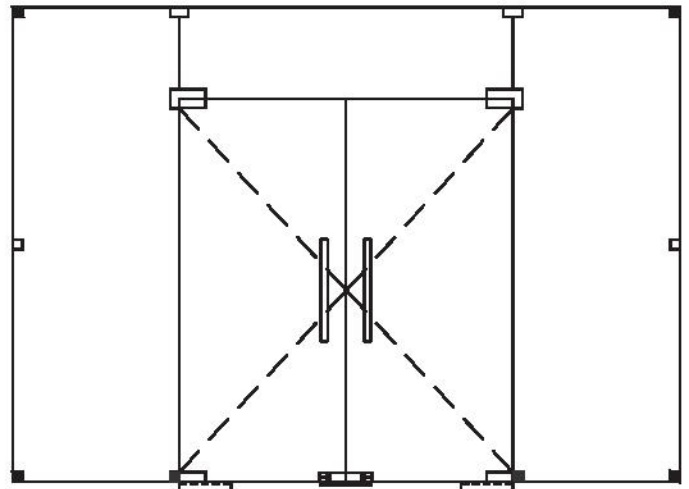
**Corner Connector**

Ordering Code : XL - C 4007A

Reference Code : 9137523

Finish : Polished Chrome

Suitable for Glass Thickness : 10 mm / 12 mm

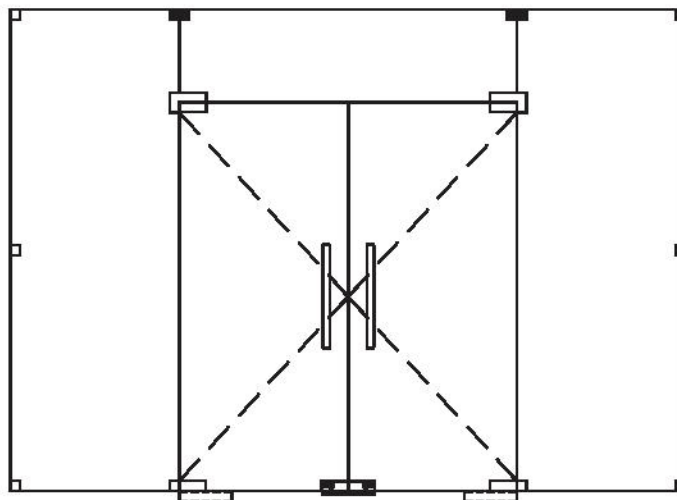


Side Connector

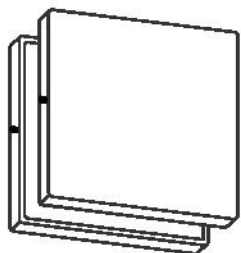


Ordering Code : XL - C 4008A
Reference Code : 9137515

Finish : Polished Chrome
Suitable for Glass Thickness : 10 mm / 12 mm

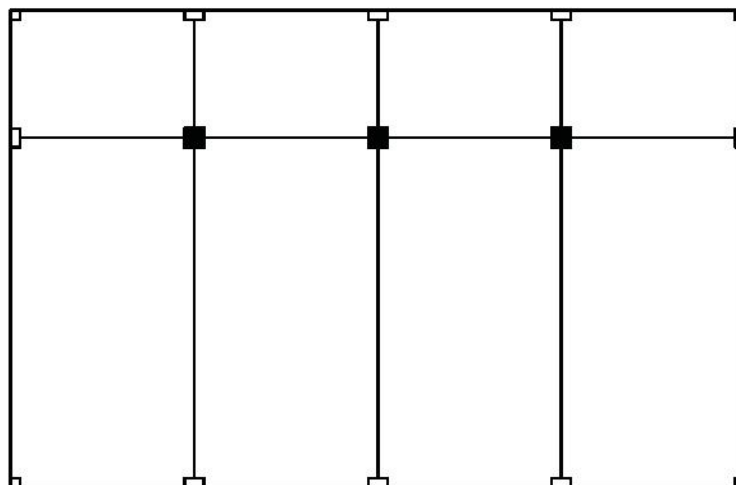


Quadruple Connector

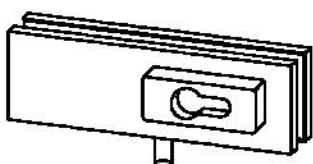


Ordering Code : XL - C 4009A
Reference Code : 9137524

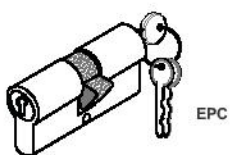
Finish : Polished Chrome
Suitable for Glass Thickness : 10 mm / 12 mm



Corner Lock patch with EPC and strike plate



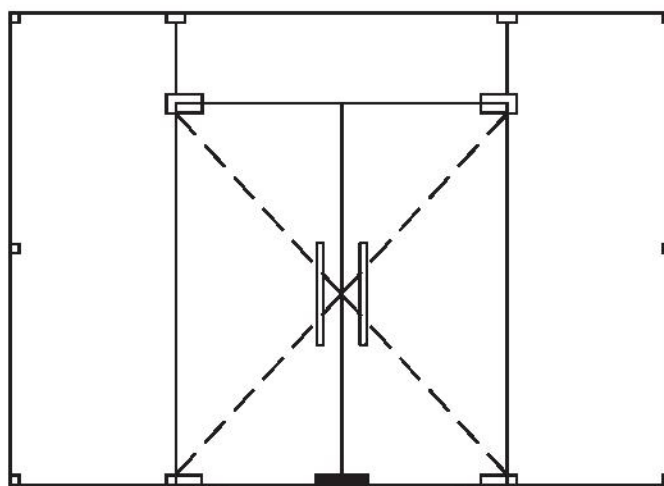
Strike Plate

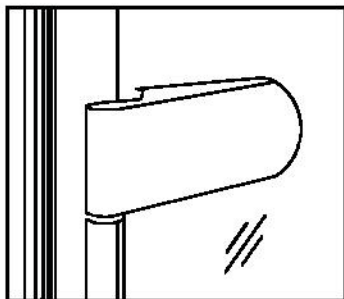
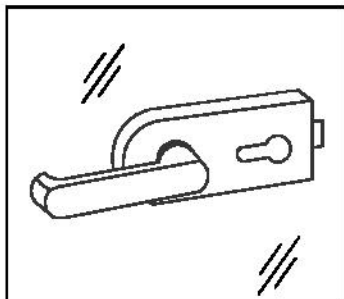
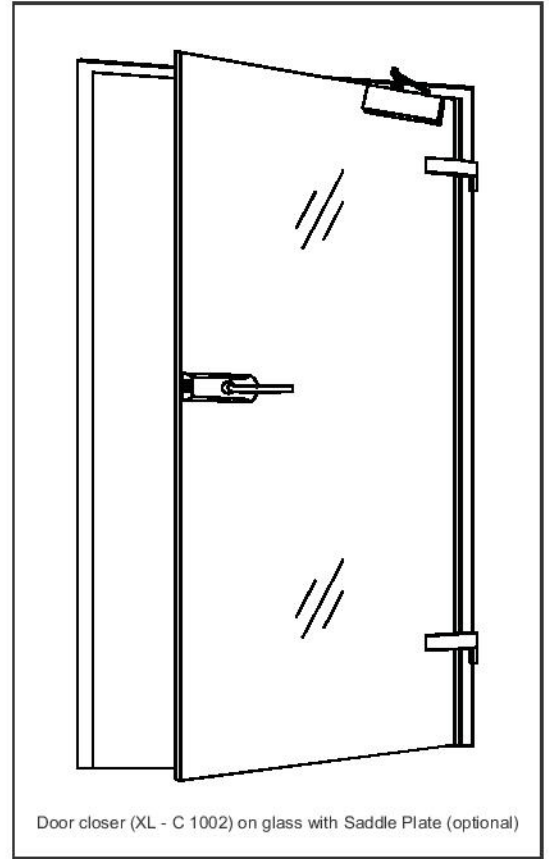
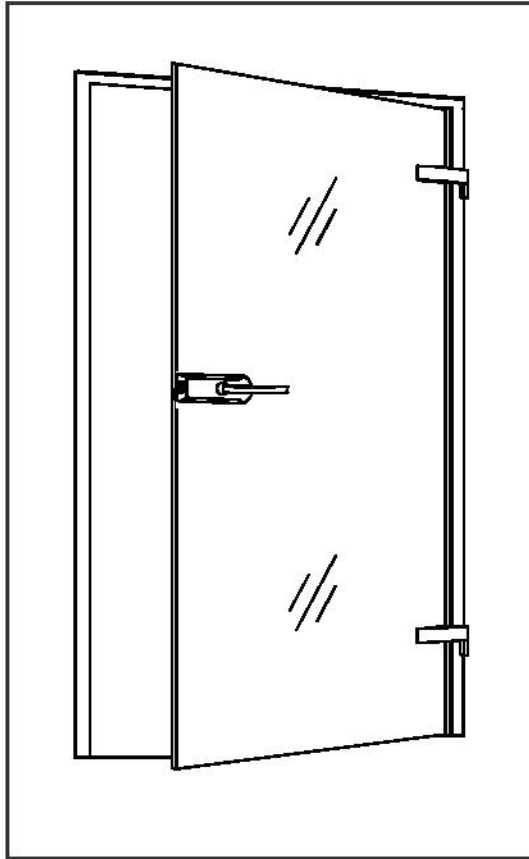


EPC

Ordering Code : XL - C 4011A
Reference Code : 9137528

Finish : Polished Chrome
Suitable for Glass Thickness : 10 mm / 12 mm





- Locks (prepared for handles without roses)
- Hinges inclusive of sleeve (2 nos.)
- Lever handles
- Angled strike plate
- Frame pivot, Screw on type
- EPC

Ordering Code : XL - C 301
Reference Code : 9138067

Finish : Aluminum Silver

Ordering Code : XL - C 302
Reference Code : 9138068

Finish : Aluminum Satin Stainless Steel

Suitable for Glass Thickness : 8 mm / 10 mm
Maximum Weight of Door : 45 Kg.

**Internal
Glass Door
Package**