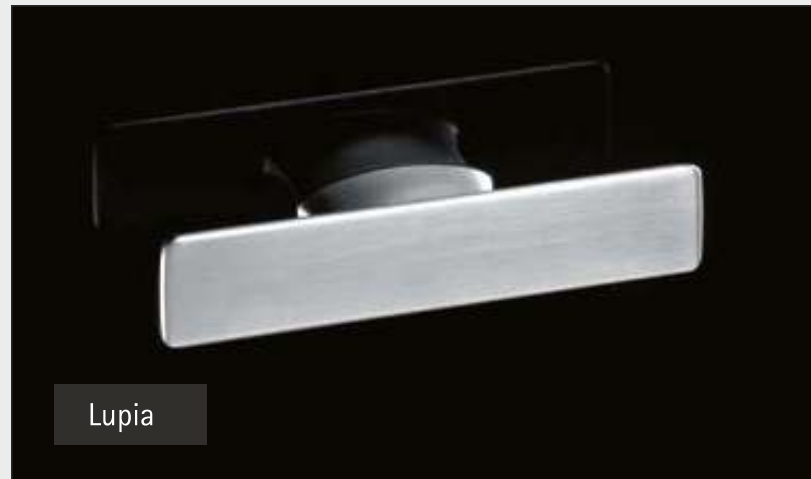




Ispani



Lupia



Soria










Luro

Handles

► Econ Handles



Product	Article No.	SAP	Hole Distance	Finish	Qty.	Unit	PU	MRP	HS Code
Econ Handle									
Adonia 	1180122	1180122	96	Nickel Matt	1	Pc	200	63	83024200
	1180121	1180121	128	Nickel Matt	1	Pc	150	95	83024200
Alano 	1180167	1180167	96	Nickel Matt	1	Pc	200	75	83024200
	1180166	1180166	128	Nickel Matt	1	Pc	125	111	83024200
Ancona 	9995081	1161173	96	Nickel Matt	1	Pc	200	82	83024200
	9995077	1161167	128	Nickel Matt	1	Pc	150	122	83024200
Agacia 	9220976	9220976	96	Nickel Matt	1	Pc	50	69	83024200
	9220978	9220978	128	Nickel Matt	1	Pc	50	108	83024200
Agacia 	9220975	9220975	96	Bright Chrome	1	Pc	50	62	83024200
	9220977	9220977	128	Bright Chrome	1	Pc	50	99	83024200
Andera 	9220980	9220980	96	Nickel Matt	1	Pc	50	64	83024200
	9220982	9220982	128	Nickel Matt	1	Pc	50	112	83024200
Andera 	9220979	9220979	96	Bright Chrome	1	Pc	50	58	83024200
	9220981	9220981	128	Bright Chrome	1	Pc	50	103	83024200

Handles

► ProDecor Handles



Product	Article No.	SAP	Hole Distance	Finish	Qty.	Unit	PU	MRP	HS Code
ProDecor Handles									
Baldone 	9995780	1161398	160	Bright Chrome	1	Pc	30	204	83024200
	9995781	1161399	160	Stainless steel	1	Pc	30	456	83024200
Evisa 	9113502	9113502	128	Stainless steel	1	Pc	30	456	83024200
	9113501	9113501	128	Bright Chrome	1	Pc	30	212	83024200
Neapolis 	115122	9160301	96	Bright Chrome	1	Pc	25	768	83024200
Salona 	1170155	1170155	160	Stainless steel	1	Pc	30	282	83024200
Tolfo 	9097900	9097900	32	Bright Chrome	1	Pc	25	1,156	83024200
Tolosa 	9113514	9113514	128	Nickel Matt	1	Pc	25	267	83024200
Calisia 	9125758	9125758	128	Anodised Aluminum	1	Pc	50	688	83024200
Intra 	9113800	9113800	192	Bright Chrome	1	Pc	25	1,033	83024200
clivia 	115353	9125415	160	Anodised Aluminum	1	Pc	50	1,369	83024200
	115208	9125407	288	Anodised Aluminum	1	Pc	25	1,615	83024200
clivia 	115214	9125412	544	Anodised Aluminum	1	Pc	25	2,241	83024200
	115217	9125427	2x 564	Anodised Aluminum	1	Pc	20	2,306	83024200
Parma 	9113468	9113468	128	Bright Chrome	1	Pc	50	475	83024200
Novae 	9112634	9112634	-	Bright Chrome	1	Pc	100	312	83024200
Suasa 	9112916	9112916	160	Bright Chrome	1	Pc	25	852	83024200
Messina 	115156	9211116	32	Brushed Stainless Steel	1	Pc	50	297	83024200

Handles

► ProDecor Handles



Product	Article No.	SAP	Hole Distance	Finish	Qty.	Unit	PU	MRP	HS Code
Lamezia 	9247827	9247827	145	Bright chrome	1	Pc	25	476	83024200
	9247828	9247828	195	Bright chrome	1	Pc	25	588	83024200
	9105801	9105801	295	Bright chrome	1	Pc	25	1,462	83024200
	9105802	9105802	345	Bright chrome	1	Pc	25	1,608	83024200
	9105803	9105803	395	Bright chrome	1	Pc	25	1,898	83024200
	9105805	9105805	445	Bright chrome	1	Pc	25	2,082	83024200
	9105806	9105806	495	Bright chrome	1	Pc	25	2,299	83021090
	9105807	9105807	595	Bright chrome	1	Pc	25	2,743	83024200
	9105809	9105809	795	Bright chrome	1	Pc	25	3,441	83024200
	9105810	9105810	895	Bright chrome	1	Pc	25	1,811	83024200
	9105811	9105811	995	Bright chrome	1	Pc	25	1,957	83024200
	9105813	9105813	1195	Bright chrome	1	Pc	25	2,139	83024200
Lamezia 	9248726	9248726	145	Stainless steel	1	Pc	25	344	83024200
	9248727	9248727	195	Stainless steel	1	Pc	25	428	83024200
	9105815	9105815	295	Stainless steel	1	Pc	25	1,243	83024200
	9105816	9105816	345	Stainless steel	1	Pc	25	1,302	83024200
	9105819	9105819	395	Stainless steel	1	Pc	05	1,448	83024200
	9105820	9105820	445	Stainless steel	1	Pc	05	1,536	83024200
	9105821	9105821	495	Stainless steel	1	Pc	05	1,770	83021090
	9105822	9105822	595	Stainless steel	1	Pc	05	1,974	83024200
	9105823	9105823	795	Stainless steel	1	Pc	25	2,502	83024200
	9105824	9105824	895	Stainless steel	1	Pc	05	2,910	83024200
	9105825	9105825	995	Stainless steel	1	Pc	25	1,957	83024200
	9105826	9105826	1195	Stainless steel	1	Pc	25	2,139	83024200
Lamezia 	9247829	9247829	145	Anodised aluminium	1	Pc	25	314	83024200
	9247830	9247830	195	Anodised aluminium	1	Pc	25	392	83024200
	9105827	9105827	295	Anodised aluminium	1	Pc	25	893	83024200
	9105828	9105828	345	Anodised aluminium	1	Pc	25	951	83024200
	9105829	9105829	395	Anodised aluminium	1	Pc	25	1,097	83024200
	9105830	9105830	445	Anodised aluminium	1	Pc	25	738	83024200
	9105831	9105831	495	Anodised aluminium	1	Pc	25	1,419	83021090
	9105832	9105832	595	Anodised aluminium	1	Pc	25	992	83024200
	9105833	9105833	795	Anodised aluminium	1	Pc	25	1,320	83024200
	9105834	9105834	895	Anodised aluminium	1	Pc	25	2,530	83024200
	9105835	9105835	995	Anodised aluminium	1	Pc	25	1,721	83024200
	9105836	9105836	1195	Anodised aluminium	1	Pc	25	1,866	83024200

Aluminium Profiles

▶ 19 mm / 45 mm Aluminium Profiles



Product	Product Section	Glass Thickness	Width	Finish	Article No.	SAP	Unit	PU	MRP	HS Code
19 mm Straight Frame Profile 3000 mm		4 mm	19 mm	SA	9288843	9288843	Pc	04	1,186	76042990
				SS	9119030	9119030	Pc	04	1,600	76042990
				CP	9216230	9216230	Pc	04	2,219	76042990
19 mm Straight Frame Profile with handle 3000 mm		4 mm	19 mm	SA	9283472	9283472	Pc	04	1,390	76042990
				SS	9119044	9119044	Pc	04	2,036	76042990
				CP	9216231	9216231	Pc	04	2,036	76042990
45 mm (Econ) Straight Frame Profile for small shutters 3000 mm		4 mm	45 mm	SA	9283532	9283532	Pc	04	1,683	76042990
				SS	9299243	9299243	Pc	04	2,341	76042990
				BL	9299245	9299245	Pc	04	2,341	76042990
				CP	9300514	9300514	Pc	04	2,341	76042990
45 mm (Econ) Straight Frame Profile with L Handle for small shutters 3000 mm		4 mm	45 mm	SA	9283533	9283533	Pc	04	2,223	76042990
				SS	9299244	9299244	Pc	04	3,112	76042990
				BL	9299246	9299246	Pc	04	3,112	76042990
				CP	9300479	9300479	Pc	04	3,112	76042990
45 mm Straight Frame Profile 3000 mm		4 mm	45 mm	SA	9283473	9283473	Pc	04	2,145	76042990
45 mm Straight Frame Profile with L Handle 3000 mm		4 mm	45 mm	SA	9283485	9283485	Pc	04	2,800	76042990
45 mm Straight Frame Profile with C Handle 3000 mm		4 mm	45 mm	SA	9283474	9283474	Pc	04	2,207	76042990
45 mm Straight Frame Profile with F Handle 3000 mm		4 mm	45 mm	SA	9283494	9283494	Pc	04	3,022	76042990
45 mm Straight Stick-On Frame Profile 3000 mm		4 mm	45 mm	SA	9283488	9283488	Pc	04	1,729	76042990
				SS	9302252	9302252	Pc	04	2,594	76042990
				CP	9302254	9302254	Pc	04	2,594	76042990

• CP - Chrome finish • SS - Stainless steel finish • SA - Silver finish • CH - Champagne Finish • BL - Black

Aluminium Profiles

► 45 mm / 55 mm Aluminium Profiles



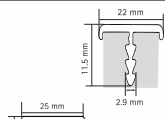
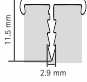
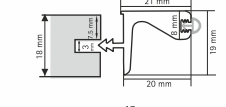
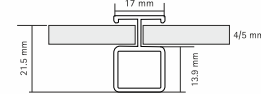
Product	Product Section	Glass Thickness	Width	Finish	Article No.	SAP	Unit	PU	MRP	HS Code
45 mm Straight Stick-On Frame Profile with L handle 3000 mm		4 mm	45 mm	SA	9283487	9283487	Pc	04	2,344	76042990
				SS	9302229	9302229	Pc	04	3,516	76042990
				CP	9302251	9302251	Pc	04	3,516	76042990
45 mm Straight Frameless Stick on Profile 3000 mm		4 mm	45 mm	SA	9306110	9306110	Pc	04	1,760	76042990
				BL	9306163	9306163	Pc	04	2,645	76042990
				SS	9306161	9306161	Pc	04	2,645	76042990
				CP	9306162	9306162	Pc	04	2,645	76042990
45 mm Straight Frameless Stick on Handle Profile 3000 mm		4 mm	45 mm	SA	9306164	9306164	Pc	04	2,250	76042990
				BL	9306167	9306167	Pc	04	3,375	76042990
				SS	9306165	9306165	Pc	04	3,375	76042990
				CP	9306166	9306166	Pc	04	3,375	76042990
55 mm Straight Frame Profile 3000 mm		4 mm	55 mm	SA	9288842	9288842	Pc	04	2,435	76042990
55 mm Straight Frame Profile with C Handle 3000 mm		4 mm	55 mm	SA	9288844	9288844	Pc	04	2,948	76042990
55 mm Curved Frame Profile 3000 mm		4 / 5 mm	55 mm	CP	9216228	9216228	Pc	04	3,470	76042990
55 mm Curved Frame Profile with C Handle 3000 mm		4 / 5 mm	55 mm	CP	9216229	9216229	Pc	04	4,047	76042990
Angle Connector Set (For all aluminum profiles)		1 Set Consists of 4 connectors & 8 screws			9303247	9303247	Set	30	110	83024200

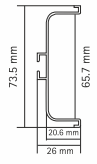
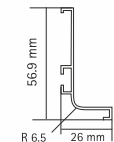
• CP - Chrome finish • SS - Stainless steel finish • SA - Silver finish • CH - Champagne Finish • BL - Black

Aluminium Profiles






► Edge Profile & Gola Profile



Item Description	Profile Section	Suitable for (mm)	Width (mm)	Finish	Article No.	SAP	Unit	PU	MRP	HS Code
Edge Profile										
Edge Profile (22 mm) 3000 mm		19 mm board thickness		SA	9283498	9283498	Pc	08	444	76042990
				SS	9299208	9299208	Pc	08	629	76042990
				CP	9302261	9302261	Pc	08	629	76042990
Edge Profile (25 mm) 3000 mm		22 mm board thickness		SA	9283500	9283500	Pc	08	472	76042990
				SS	9299209	9299209	Pc	08	701	76042990
				CP	9302262	9302262	Pc	08	701	76042990
Edge Profile for Wall cabinet 3000 mm		18 mm board thickness onwards	-	SA	9283517	9283517	Pc	12	1,350	76042990
				SS	9299223	9299223	Pc	12	2,025	76042990
Mid Way Joining profile 3000 mm		4 & 5 mm	17 mm	SS	9148139	9148139	Pc	08	1,692	76042990
				CP	9216234	9216234	Pc	08	1,692	76042990
Connector Set for Mid Way Joining Profile					9153818	9153818	Pc	10	106	76042990

Product	Product Section	Length (mm)	Finish	Article No.	SAP	Unit	PU	MRP	HS Code	
Gola Profile										
Gola profile C Type		3000		SA	9283515	9283515	Pc	10	1,420	76042990
				SS	9299221	9299221	Pc	10	2,130	76042990
				BL	9299226	9299226	Pc	10	2,130	76042990
				CP	9300522	9300522	Pc	10	2,130	76042990
Gola profile L Type		3000		SA	9283516	9283516	Pc	10	1,122	76042990
				SS	9299222	9299222	Pc	10	1,683	76042990
				BL	9299225	9299225	Pc	10	1,683	76042990
				CP	9300521	9300521	Pc	10	1,683	76042990

Item Description	Product	Compatible with	Side	Article No.	SAP	Unit	PU	MRP	HS Code
------------------	---------	-----------------	------	-------------	-----	------	----	-----	---------

Gola Profile Accessories									
Gola Profile End Cap for C Type with screws		SA & CP	Left	9212563	9212563	Pc	20	277	76042990
			Right	9212564	9212564	Pc	20	277	76042990
		SS	Left	9218244	9218244	Pc	20	278	76042990
			Right	9218245	9218245	Pc	20	278	76042990
		BL	Left	9299044	9299044	Pc	20	305	76042990
			Right	9299045	9299045	Pc	20	305	76042990
Gola Profile End Cap for L Type with screws		SA & CP	Left	9212565	9212565	Pc	20	277	76042990
			Right	9212566	9212566	Pc	20	277	76042990
		SS	Left	9218246	9218246	Pc	20	278	76042990
			Right	9218247	9218247	Pc	20	278	76042990
		BL	Left	9299042	9299042	Pc	20	305	76042990
			Right	9299043	9299043	Pc	20	305	76042990
Gola Outer Angle Profile Connector with screws		SA & CP		9212567	9212567	Pc	20	312	76042990
		SS		9218248	9218248	Pc	20	312	76042990
		BL		9299046	9299046	Pc	20	305	76042990
Gola Inner Angle Profile Connector with screws		SA & CP		9212568	9212568	Pc	20	422	76042990
		SS		9218269	9218269	Pc	20	422	76042990
		BL		9299047	9299047	Pc	20	470	76042990
Gola L Connector set with screws		-		9220600	9220600	Pc	20	46	76042990

• CP - Chrome finish • SS - Stainless steel finish • SA - Silver finish • CH - Champagne Finish • BL - Black

Aluminium Profiles

► Profile Handles, Vertical Gola Profile & Sink Counter Profile



Product	Product Section	Details	Finish	Article No.	SAP	Unit	PU	MRP	HS Code
Handle Eslinga (G Profile)		Profile height 40 mm & Length 3000 mm	SA	9283502	9283502	Pc	04	2,873	76042990
Eslinga Econ (G Profile)		Profile height 35 mm & Length 3000 mm	SA	9283503	9283503	Pc	04	1,877	76042990
			SS	9299210	9299210	Pc	04	2,628	76042990
			BL	9299224	9299224	Pc	04	2,628	76042990
			CP	9300513	9300513	Pc	04	2,628	76042990
Lutetia		Profile height 28 mm & Length 3000 mm	SA	9133756	9133756	Pc	04	1,525	76042990
Spira		Profile Ht- 43 mm & Length 2000 mm	SA	115314	9126106	Pc	04	1,515	76042990
		End Cap	-	115298	9126165	Pc	20	277	83024200
Calisia		Length 1950 mm	SA	115105	9125763	Pc	08	2,219	76042990
Lindavia		for 19 mm board & Length 2000 mm	SA	115115	9125832	Pc	12	1,559	94039000
Ticinum		Length 2000 mm	SA	9131455	9131455	Pc	12	3,284	76042990
Seveso		Profile height 38mm for 19 mm thickness & Length 2400 mm	SA	9995123	1161200	Pc	06	1,001	76042990

Product	Product Section	Length (mm)	Finish	Article No.	SAP	Unit	PU	MRP	HS Code
---------	-----------------	-------------	--------	-------------	-----	------	----	-----	---------

Gola Profile

Gola profile (Vertical application)		Double side C profile	3000	SA	9293474	9293474	Pc	4	2,248	76042990
			3000	SS	9302257	9302257	Pc	4	3,372	76042990
			3000	BL	9300496	9300496	Pc	4	3,372	76042990
			3000	CP	9300524	9300524	Pc	4	3,372	76042990
Gola profile (Vertical application)		Single side L profile	3000	SA	9293473	9293473	Pc	4	1,994	76042990
			3000	SS	9302256	9302256	Pc	4	2,991	76042990
			3000	BL	9300494	9300494	Pc	4	2,991	76042990
			3000	CP	9300523	9300523	Pc	4	2,991	76042990

Product	Product Section	Length (mm)	Finish	Article No.	SAP	Unit	PU	MRP	HS Code
---------	-----------------	-------------	--------	-------------	-----	------	----	-----	---------

Sink Counter Profile With Connectors

Sink counter profile		3000	SA	9293475	9293475	Pc	6	1,177	76042990
Bracket for sink counter profile left		-	-	9293678	9293678	Pc	50	26	76042990
Bracket for sink counter profile right		-	-	9293699	9293699	Pc	50	26	76042990

• CP - Chrome finish • SS - Stainless steel finish • SA - Silver finish • CH - Champagne Finish • BL - Black